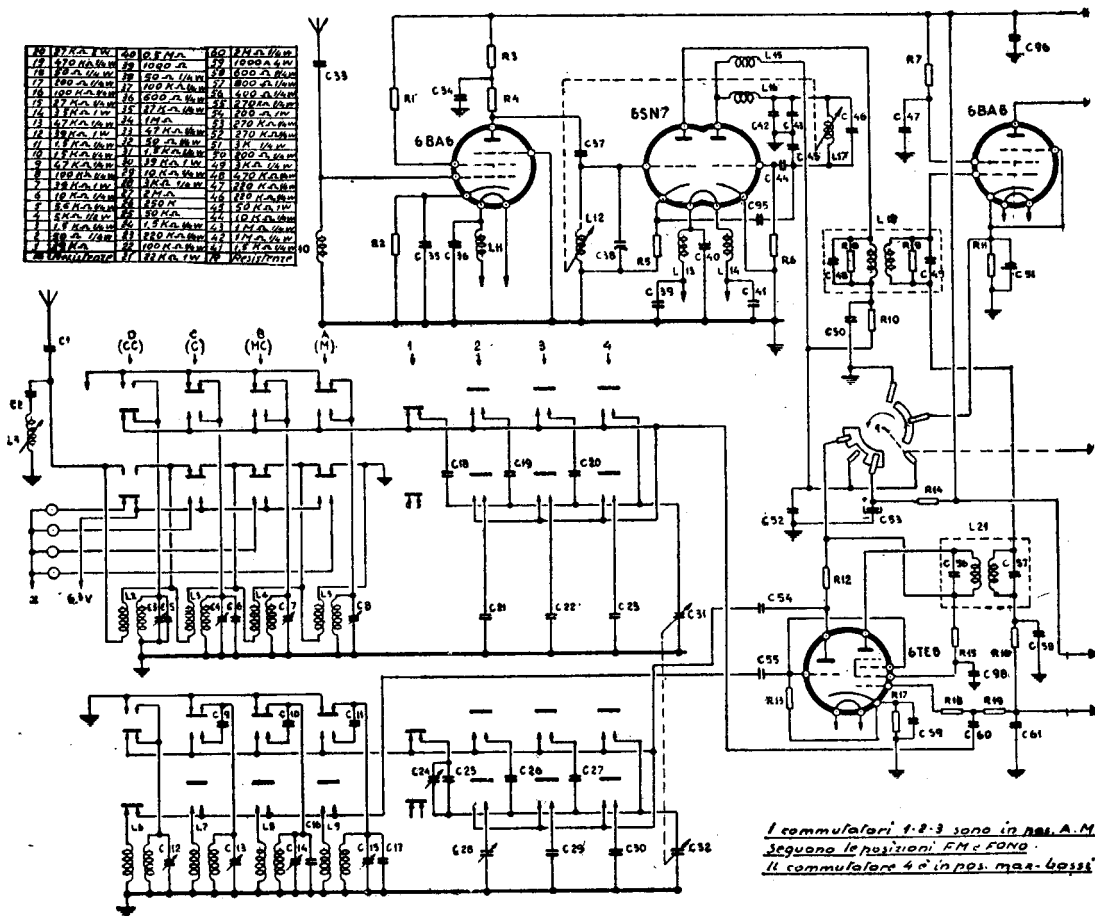
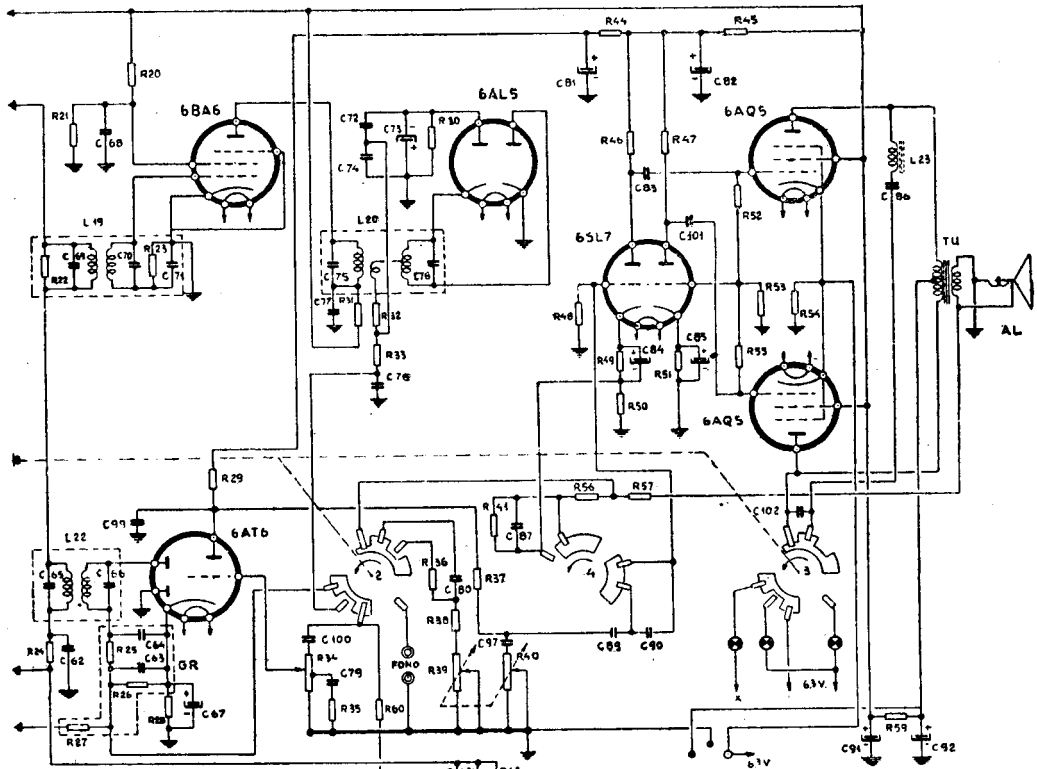


10	170 N.A.M.	17	100 N.A.M.	24	100 N.A.M.
11	170 N.A.M.	18	100 N.A.M.	25	100 N.A.M.
12	170 N.A.M.	19	100 N.A.M.	26	100 N.A.M.
13	170 N.A.M.	20	100 N.A.M.	27	100 N.A.M.
14	100 N.A.M.	21	100 N.A.M.	28	100 N.A.M.
15	100 N.A.M.	22	100 N.A.M.	29	100 N.A.M.
16	100 N.A.M.	23	100 N.A.M.	30	100 N.A.M.
17	100 N.A.M.	24	100 N.A.M.	31	100 N.A.M.
18	100 N.A.M.	25	100 N.A.M.	32	100 N.A.M.
19	100 N.A.M.	26	100 N.A.M.	33	100 N.A.M.
20	100 N.A.M.	27	100 N.A.M.	34	100 N.A.M.
21	100 N.A.M.	28	100 N.A.M.	35	100 N.A.M.
22	100 N.A.M.	29	100 N.A.M.	36	100 N.A.M.
23	100 N.A.M.	30	100 N.A.M.	37	100 N.A.M.
24	100 N.A.M.	31	100 N.A.M.	38	100 N.A.M.
25	100 N.A.M.	32	100 N.A.M.	39	100 N.A.M.
26	100 N.A.M.	33	100 N.A.M.	40	100 N.A.M.
27	100 N.A.M.	34	100 N.A.M.	41	100 N.A.M.
28	100 N.A.M.	35	100 N.A.M.	42	100 N.A.M.
29	100 N.A.M.	36	100 N.A.M.	43	100 N.A.M.
30	100 N.A.M.	37	100 N.A.M.	44	100 N.A.M.
31	100 N.A.M.	38	100 N.A.M.	45	100 N.A.M.
32	100 N.A.M.	39	100 N.A.M.	46	100 N.A.M.
33	100 N.A.M.	40	100 N.A.M.	47	100 N.A.M.
34	100 N.A.M.	41	100 N.A.M.	48	100 N.A.M.
35	100 N.A.M.	42	100 N.A.M.	49	100 N.A.M.
36	100 N.A.M.	43	100 N.A.M.	50	100 N.A.M.
37	100 N.A.M.	44	100 N.A.M.	51	100 N.A.M.
38	100 N.A.M.	45	100 N.A.M.	52	100 N.A.M.
39	100 N.A.M.	46	100 N.A.M.	53	100 N.A.M.
40	100 N.A.M.	47	100 N.A.M.	54	100 N.A.M.
41	100 N.A.M.	48	100 N.A.M.	55	100 N.A.M.
42	100 N.A.M.	49	100 N.A.M.	56	100 N.A.M.
43	100 N.A.M.	50	100 N.A.M.	57	100 N.A.M.
44	100 N.A.M.	51	100 N.A.M.	58	100 N.A.M.
45	100 N.A.M.	52	100 N.A.M.	59	100 N.A.M.
46	100 N.A.M.	53	100 N.A.M.	60	100 N.A.M.
47	100 N.A.M.	54	100 N.A.M.	61	100 N.A.M.
48	100 N.A.M.	55	100 N.A.M.	62	100 N.A.M.
49	100 N.A.M.	56	100 N.A.M.	63	100 N.A.M.
50	100 N.A.M.	57	100 N.A.M.	64	100 N.A.M.
51	100 N.A.M.	58	100 N.A.M.	65	100 N.A.M.
52	100 N.A.M.	59	100 N.A.M.	66	100 N.A.M.
53	100 N.A.M.	60	100 N.A.M.	67	100 N.A.M.
54	100 N.A.M.	61	100 N.A.M.	68	100 N.A.M.
55	100 N.A.M.	62	100 N.A.M.	69	100 N.A.M.
56	100 N.A.M.	63	100 N.A.M.	70	100 N.A.M.
57	100 N.A.M.	64	100 N.A.M.	71	100 N.A.M.
58	100 N.A.M.	65	100 N.A.M.	72	100 N.A.M.
59	100 N.A.M.	66	100 N.A.M.	73	100 N.A.M.
60	100 N.A.M.	67	100 N.A.M.	74	100 N.A.M.
61	100 N.A.M.	68	100 N.A.M.	75	100 N.A.M.
62	100 N.A.M.	69	100 N.A.M.	76	100 N.A.M.
63	100 N.A.M.	70	100 N.A.M.	77	100 N.A.M.
64	100 N.A.M.	71	100 N.A.M.	78	100 N.A.M.
65	100 N.A.M.	72	100 N.A.M.	79	100 N.A.M.
66	100 N.A.M.	73	100 N.A.M.	80	100 N.A.M.
67	100 N.A.M.	74	100 N.A.M.	81	100 N.A.M.
68	100 N.A.M.	75	100 N.A.M.	82	100 N.A.M.
69	100 N.A.M.	76	100 N.A.M.	83	100 N.A.M.
70	100 N.A.M.	77	100 N.A.M.	84	100 N.A.M.
71	100 N.A.M.	78	100 N.A.M.	85	100 N.A.M.
72	100 N.A.M.	79	100 N.A.M.	86	100 N.A.M.
73	100 N.A.M.	80	100 N.A.M.	87	100 N.A.M.
74	100 N.A.M.	81	100 N.A.M.	88	100 N.A.M.
75	100 N.A.M.	82	100 N.A.M.	89	100 N.A.M.
76	100 N.A.M.	83	100 N.A.M.	90	100 N.A.M.
77	100 N.A.M.	84	100 N.A.M.	91	100 N.A.M.
78	100 N.A.M.	85	100 N.A.M.	92	100 N.A.M.
79	100 N.A.M.	86	100 N.A.M.	93	100 N.A.M.
80	100 N.A.M.	87	100 N.A.M.	94	100 N.A.M.
81	100 N.A.M.	88	100 N.A.M.	95	100 N.A.M.
82	100 N.A.M.	89	100 N.A.M.	96	100 N.A.M.
83	100 N.A.M.	90	100 N.A.M.	97	100 N.A.M.
84	100 N.A.M.	91	100 N.A.M.	98	100 N.A.M.
85	100 N.A.M.	92	100 N.A.M.	99	100 N.A.M.
86	100 N.A.M.	93	100 N.A.M.	100	100 N.A.M.



COMPAGNIA GENERALE DI ELETTRICITÀ - Mod. 4110 AM/FM - A modulazione d'ampiezza e di frequenza. Le valvole segnate in alto appartengono alla modulazione di frequenza, ed all'amplificatore finale. Le valvole segnate in basso (6TE8 e 6AT6) appartengono alla sezione AM. La seconda 6B6 provvede anche all'amplificazione MF per i segnali AM. Media frequenza AM 468 kc, media frequenza FM 10,5 Mc. Potenza d'uscita 10 watt indistorti.



Capacitor	Value	Capacitor	Value	Capacitor	Value
10	1000 pF	60	0.5 pF	110	1000 pF
11	0.01 pF	79	0.01 pF	121	0.01 pF
12	10 pF	78	1000 pF	122	1000 pF
13	100 pF	77	0.01 pF	123	1000 pF
14	1000 pF	76	30 pF	124	1000 pF
15	100 pF	75	10 pF	125	1000 pF
16	1000 pF	74	100 pF	126	1000 pF
17	100 pF	73	100 pF	127	1000 pF
18	1000 pF	72	100 pF	128	1000 pF
19	100 pF	71	100 pF	129	1000 pF
20	1000 pF	70	100 pF	130	1000 pF
21	100 pF	69	100 pF	131	1000 pF
22	1000 pF	68	100 pF	132	1000 pF
23	100 pF	67	100 pF	133	1000 pF
24	1000 pF	66	100 pF	134	1000 pF
25	100 pF	65	100 pF	135	1000 pF
26	1000 pF	64	100 pF	136	1000 pF
27	100 pF	63	100 pF	137	1000 pF
28	1000 pF	62	100 pF	138	1000 pF
29	100 pF	61	100 pF	139	1000 pF
30	1000 pF	60	100 pF	140	1000 pF
31	100 pF	59	100 pF	141	1000 pF
32	1000 pF	58	100 pF	142	1000 pF
33	100 pF	57	100 pF	143	1000 pF
34	1000 pF	56	100 pF	144	1000 pF
35	100 pF	55	100 pF	145	1000 pF
36	1000 pF	54	100 pF	146	1000 pF
37	100 pF	53	100 pF	147	1000 pF
38	1000 pF	52	100 pF	148	1000 pF
39	100 pF	51	100 pF	149	1000 pF
40	1000 pF	50	100 pF	150	1000 pF
41	100 pF	49	100 pF	151	1000 pF
42	1000 pF	48	100 pF	152	1000 pF
43	100 pF	47	100 pF	153	1000 pF
44	1000 pF	46	100 pF	154	1000 pF
45	100 pF	45	100 pF	155	1000 pF
46	1000 pF	44	100 pF	156	1000 pF
47	100 pF	43	100 pF	157	1000 pF
48	1000 pF	42	100 pF	158	1000 pF
49	100 pF	41	100 pF	159	1000 pF
50	1000 pF	40	100 pF	160	1000 pF
51	100 pF	39	100 pF	161	1000 pF
52	1000 pF	38	100 pF	162	1000 pF
53	100 pF	37	100 pF	163	1000 pF
54	1000 pF	36	100 pF	164	1000 pF
55	100 pF	35	100 pF	165	1000 pF
56	1000 pF	34	100 pF	166	1000 pF
57	100 pF	33	100 pF	167	1000 pF
58	1000 pF	32	100 pF	168	1000 pF
59	100 pF	31	100 pF	169	1000 pF
60	1000 pF	30	100 pF	170	1000 pF
61	100 pF	29	100 pF	171	1000 pF
62	1000 pF	28	100 pF	172	1000 pF
63	100 pF	27	100 pF	173	1000 pF
64	1000 pF	26	100 pF	174	1000 pF
65	100 pF	25	100 pF	175	1000 pF
66	1000 pF	24	100 pF	176	1000 pF
67	100 pF	23	100 pF	177	1000 pF
68	1000 pF	22	100 pF	178	1000 pF
69	100 pF	21	100 pF	179	1000 pF
70	1000 pF	20	100 pF	180	1000 pF
71	100 pF	19	100 pF	181	1000 pF
72	1000 pF	18	100 pF	182	1000 pF
73	100 pF	17	100 pF	183	1000 pF
74	1000 pF	16	100 pF	184	1000 pF
75	100 pF	15	100 pF	185	1000 pF
76	1000 pF	14	100 pF	186	1000 pF
77	100 pF	13	100 pF	187	1000 pF
78	1000 pF	12	100 pF	188	1000 pF
79	100 pF	11	100 pF	189	1000 pF
80	1000 pF	10	100 pF	190	1000 pF
81	100 pF	9	100 pF	191	1000 pF
82	1000 pF	8	100 pF	192	1000 pF
83	100 pF	7	100 pF	193	1000 pF
84	1000 pF	6	100 pF	194	1000 pF
85	100 pF	5	100 pF	195	1000 pF
86	1000 pF	4	100 pF	196	1000 pF
87	100 pF	3	100 pF	197	1000 pF
88	1000 pF	2	100 pF	198	1000 pF
89	100 pF	1	100 pF	199	1000 pF
90	1000 pF	0	100 pF	200	1000 pF

Resistor	Value	Resistor	Value	Resistor	Value
R1	100k	R21	100k	R41	100k
R2	100k	R22	100k	R42	100k
R3	100k	R23	100k	R43	100k
R4	100k	R24	100k	R44	100k
R5	100k	R25	100k	R45	100k
R6	100k	R26	100k	R46	100k
R7	100k	R27	100k	R47	100k
R8	100k	R28	100k	R48	100k
R9	100k	R29	100k	R49	100k
R10	100k	R30	100k	R50	100k
R11	100k	R31	100k	R51	100k
R12	100k	R32	100k	R52	100k
R13	100k	R33	100k	R53	100k
R14	100k	R34	100k	R54	100k
R15	100k	R35	100k	R55	100k
R16	100k	R36	100k	R56	100k
R17	100k	R37	100k	R57	100k
R18	100k	R38	100k	R58	100k
R19	100k	R39	100k	R59	100k
R20	100k	R40	100k		

