

# KENWOOD

# SERVICE MANUAL

## Model R-599S



### COMMUNICATIONS RECEIVER

# CONTENTS

<b>EXTERNAL VIEW</b> .....	3
<b>PARTS ALIGNMENT (CHASSIS TOP VIEW)</b> .....	4
<b>PARTS ALIGNMENT (CHASSIS BOTTOM VIEW)</b> .....	4
<b>TROUBLE SHOOTING</b> .....	5
<b>ADJUSTMENTS</b>	
1. Voltage adjustment on AVR unit (X43-0010-00) .....	7
2. IF UNIT adjustment (X48-0011-00) .....	7
3. RIT adjustment .....	8
4. Main dial adjustment .....	8
5. RF UNIT adjustment .....	9
6. S METER adjustment .....	10
7. MONITOR circuit adjustment .....	10
8. SIDE TONE LEVEL adjustment .....	10
9. MARKER UNIT adjustment (X52-0005-01) .....	11
10. NB UNIT adjustment (X54-1080-10) .....	11
11. FILTER UNIT adjustment (X51-1050-10) .....	11
<b>PARTS LISTS</b>	
R-599S .....	12
X40-0016-08 (VFO UNIT) .....	14
X43-0010-00 (AVR UNIT) .....	15
X44-0020-00 (RF UNIT) .....	15
X46-0002-00 (2M CRYSTAL CONVERTOR UNIT) .....	16
X48-0011-00 (IF UNIT) .....	18
X49-1040-10 (AF UNIT) .....	19
X50-0002-00 (CARRIER UNIT) .....	20
X50-1140-10 (FIXED CHANNEL UNIT) .....	21
X51-1050-10 (FILTER UNIT) .....	22
X52-0005-01 (MARKER UNIT) .....	23
X54-1080-10 (NB UNIT) .....	23
<b>PC BOARD</b>	
X40-0016-08 (VFO UNIT) .....	25
X43-0010-00 (AVR UNIT) .....	25
X44-0020-00 (RF UNIT) .....	26
X46-0002-00 (2M CRYSTAL CONVERTOR UNIT) .....	26
X48-0011-00 (IF UNIT) .....	27
X49-1040-10 (AF UNIT) .....	27
X50-0002-00 (CARRIER UNIT) .....	28
X50-1140-10 (FIXED CHANNEL UNIT) .....	28
X51-1050-10 (FILTER UNIT) .....	29
X52-0005-01 (MARKER UNIT) .....	29
X54-1080-10 (NB UNIT) .....	30
<b>SPECIFICATION</b> .....	31
<b>BLOCK DIAGRAM</b> .....	32
<b>SCHEMATIC DIAGRAM (2m CRYSTAL CONVERTER)</b> .....	32
<b>SCHEMATIC DIAGRAM</b> .....	33

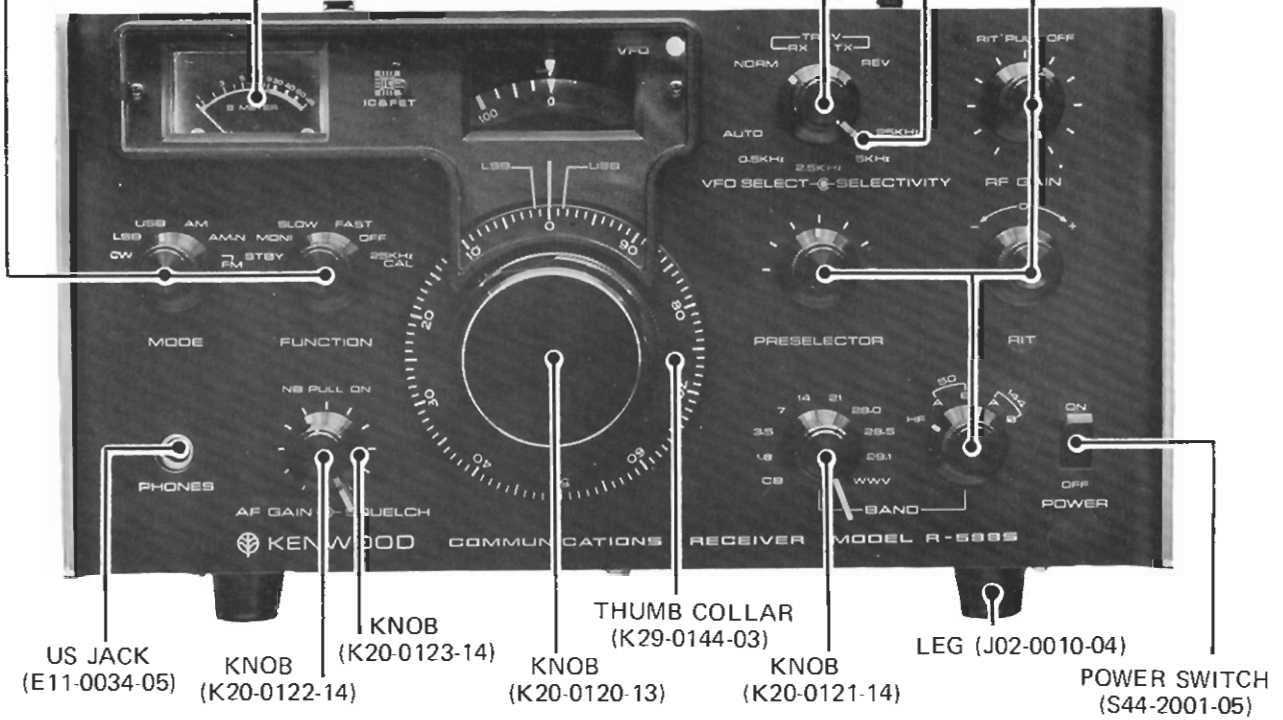
# EXTERNAL VIEW

KNOB (K20-0125-04) S METER (B31-0004-15)

KNOB (K20-0124-14)

KNOB (K20-0122-04)

KNOB (K20-0125-04)



US JACK (E11-0034-05)

KNOB (K20-0122-14)

KNOB (K20-0123-14)

KNOB (K20-0120-13)

THUMB COLLAR (K29-0144-03)

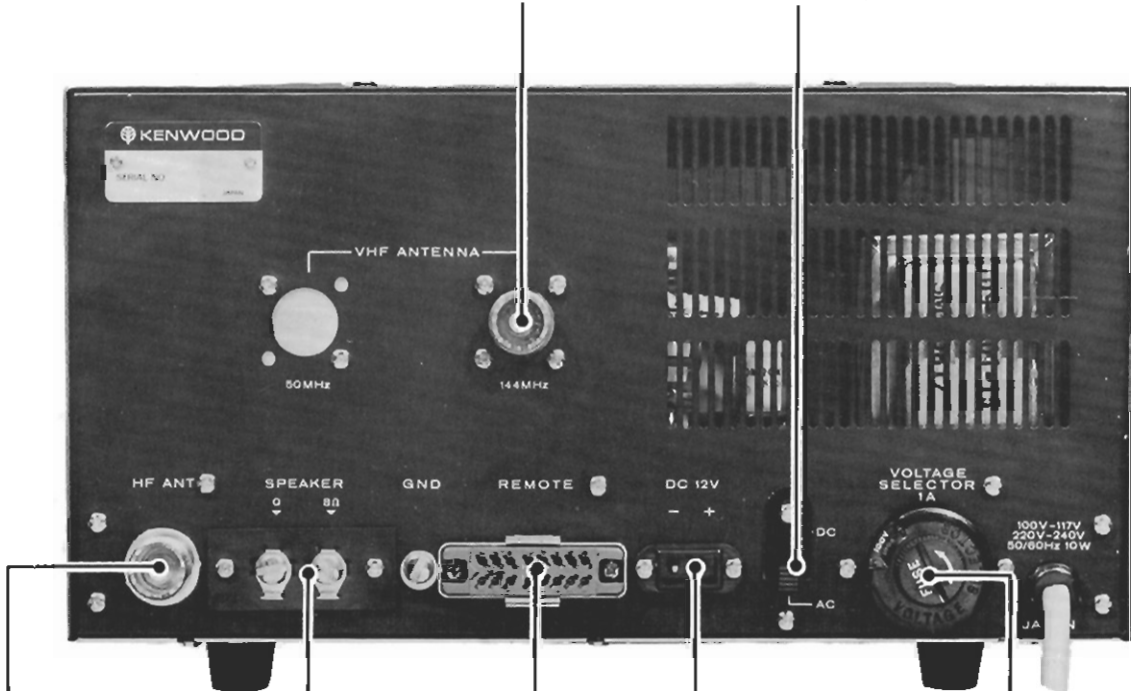
KNOB (K20-0121-14)

LEG (J02-0010-04)

POWER SWITCH (S44-2001-05)

RECEPTACLE, TYPE M (E04-0113-05)

SLIDE SWITCH (S31-2007-05)



RECEPTACLE, TYPE M (E04-0115-05)

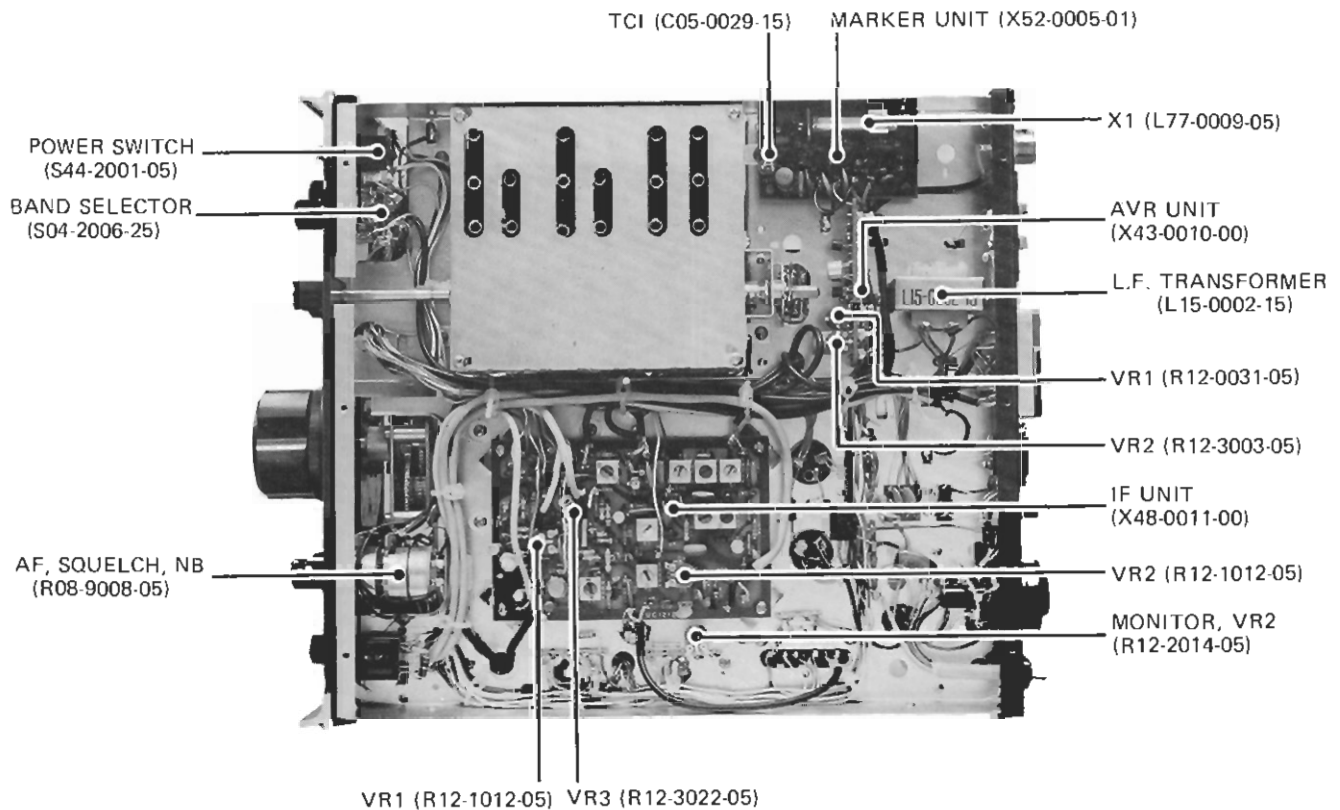
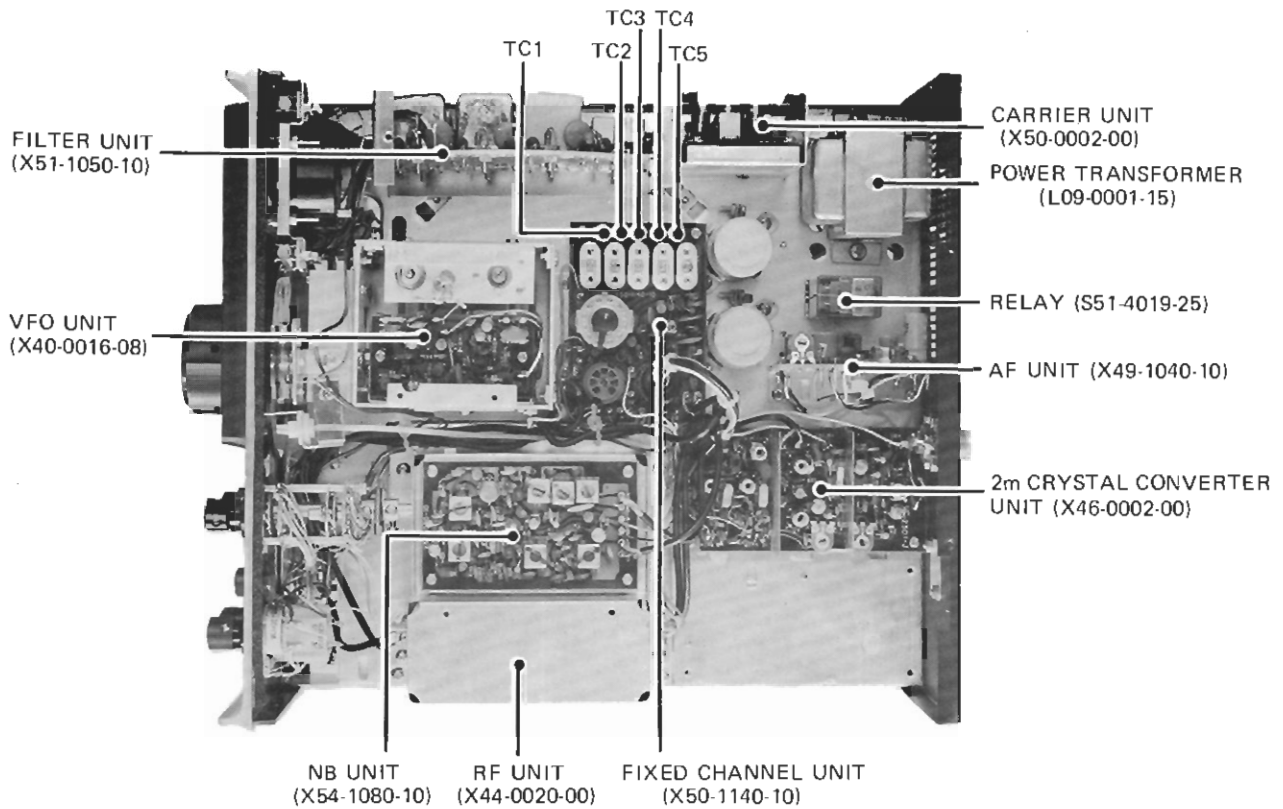
2P TERMINAL (E20-0208-04)

16P SOCKET (E08-1601-15)

2P SOCKET (E08-0203-25)

FUSE HOLDER (J13-0003-05)

# PARTS ALIGNMENT



# TROUBLESHOOTING

1. Trouble-shooting information given below will become more meaningful if you refer to ADJUSTMENTS information in pages 7 ~ 11, with the circuit diagram at your elbow.
2. Check for possible causes, not just in any sequence but in the sequence of listing.
3. To check r-f voltages, use a vacuum-tube voltmeter or, alternatively, a detector-tester combination like the one shown on the right.

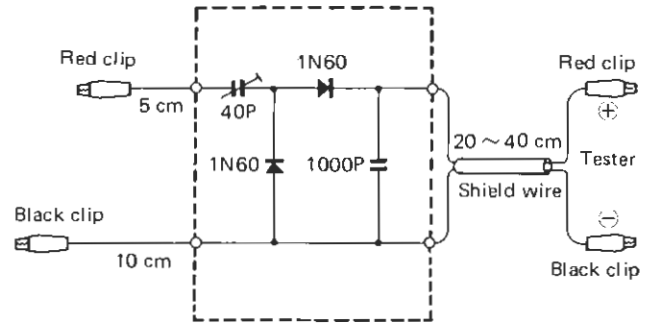


Fig. 1

Symptom	Service points	Possible causes	What to do for remedy
1. No power supply.	1) Fuse 2) Power on-off switch 3) AC cord	<ul style="list-style-type: none"> <li>Blown fuse.</li> <li>Defective switch.</li> <li>Open-circuit near the plug.</li> </ul>	<ul style="list-style-type: none"> <li>Refer to Symptom 2.</li> <li>Check for circuit continuity.</li> <li>Check for circuit continuity.</li> </ul>
2. Fuse blows off too easily.	1) Audio-frequency unit (X49-1040-10) 2) B circuit	<ul style="list-style-type: none"> <li>Defective Q3, 2SD90, Q4 or 2SB473.</li> <li>Short-circuited to the chassis.</li> </ul>	<ul style="list-style-type: none"> <li>Disconnect lead wire from B terminal and check.</li> <li>Investigate and repair.</li> </ul>
3. No signal reception.	Noise heard on all bands.	<ul style="list-style-type: none"> <li>Defective Q3, 2SD90, Q4 or 2SB473.</li> <li>Poor contact.</li> <li>Failure of heterodyning oscillation because of defective Q3 or 2SK19.</li> <li>T1 ~ T3 widely off adjustment.</li> </ul>	<ul style="list-style-type: none"> <li>Disconnect lead wire from B terminal and check.</li> <li>Check for continuity.</li> <li>Check oscillator voltage. Replace defective part if any.</li> <li>Adjust or replace.</li> </ul>
	Noise heard only on certain band.	<ul style="list-style-type: none"> <li>Failure of oscillation because of defective Q1, 3SK22, O3 or 2SC460.</li> <li>Defective rotary switch.</li> <li>Antenna coil, RF coil or OSC coil widely off adjustment or open-circuited.</li> </ul>	<ul style="list-style-type: none"> <li>Check output voltage or voltage at respective components.</li> <li>Inspect the switch.</li> <li>Adjust, or replace.</li> </ul>
	Noise heard only on SSB/CW.	<ul style="list-style-type: none"> <li>Failure of carrier oscillation (X50-0002-00)</li> </ul>	<ul style="list-style-type: none"> <li>Check oscillator voltage, or replace.</li> <li>Inspect the switch.</li> <li>Check voltage at OUT terminal or at respective components.</li> </ul>
	Low sensitivity (poor S/N).	<ul style="list-style-type: none"> <li>AVR unit (X43-0010-00)</li> <li>RF unit (X44-0020-00)</li> <li>IF unit</li> <li>VFO unit (X40-0016-08)</li> <li>Coil unit</li> </ul>	<ul style="list-style-type: none"> <li>VR1 off adjustment (resulting in low regulated voltage).</li> <li>Deteriorated Q1 or 3SK22.</li> <li>Deteriorated Q3 or 2SK19.</li> <li>T1 ~ T3 off adjustment.</li> <li>TC2 off adjustment, or deteriorated Q1 or 3SK22, resulting in low output from VFO unit.</li> <li>Antenna coil, RF coil or oscillator coil off adjustment.</li> </ul>
4. S meter pointer will not deflect.	1) IF unit (X48-0011-00) 2) Not enough sensitivity	<ul style="list-style-type: none"> <li>VR3 off adjustment.</li> <li>Refer to Symptom 3 "Low sensitivity (poor S/N)".</li> </ul>	<ul style="list-style-type: none"> <li>Adjust.</li> </ul>

Symptom	Service points	Possible causes	What to do for remedy
5. Sound distortion. Occurring in all MODES. Occurring in FM. Occurring in SSB.	1) AF unit. (X49-1040-10)  1) IF unit. (X48-0011-00)  1) IF unit.  2) Carrier oscillator unit (X50-0002-00)	<ul style="list-style-type: none"> <li>○ Defective Q3, 2SD90, Q4 or 2SB473.</li> <li>○ T7 or T8 off adjustment.</li> <li>○ VR2 off adjustment.</li> <li>○ Frequency deviation, or output voltage too low.</li> </ul>	<ul style="list-style-type: none"> <li>○ Disconnect lead wire from B terminal and check, or replace.</li> <li>○ Adjustment.</li> <li>○ Adjust.</li> <li>○ Adjust TC2, TC3 or T1.</li> </ul>
6. RIT zero point off adjustment.	AVR unit (X43-0010-00)	<ul style="list-style-type: none"> <li>○ VR2 off adjustment.</li> </ul>	<ul style="list-style-type: none"> <li>○ Adjust.</li> </ul>
7. Loss of match between marker and WWV.	Marker unit (X52-0005-01)	<ul style="list-style-type: none"> <li>○ TC1 off adjustment, or defective crystal (X1).</li> </ul>	<ul style="list-style-type: none"> <li>○ Adjust, or replace.</li> </ul>
8. Not enough output in transceiver operation.  Deviation of transmitter or receiver frequency.	1) VFO unit (X40-0016-08)  2) T-599 heterodyne oscillator circuit 1) Carrier oscillation  2) RIT	<ul style="list-style-type: none"> <li>○ TC2 off adjustment.</li> <li>○ Deteriorated Q3 or 2SC460 in drive unit (X47-0004-00).</li> <li>○ Frequency deviation on R-559 or T-559.</li> <li>○ VR2 off adjustment in AVR unit (X43-0010-00).</li> </ul>	<ul style="list-style-type: none"> <li>○ Adjust.</li> <li>○ Replace.</li> <li>○ Check and adjust.</li> <li>○ Adjust.</li> </ul>

# ADJUSTMENT

## Preparatory steps

- Set the knobs as follows:  
Front panel

Knob	Position
MODE	USB
FUNCTION	FAST
RF GAIN	MAX
VFO SELECT	NORM
SELECTIVITY	AUTO
SQUELCH	OFF
RIT	0
BAND	14
NB	OFF
POWER	ON

- Inside the set, have the selector switch on fixed channel turned to "VFO".
- On the rear panel, connect an 8-ohm dummy to SPEAKER terminal.

## 1. Voltage adjustment on AVR unit (X43-0010-00)

### A. Voltage adjustment

- Purpose**  
To establish the +9-volt line voltage.
- Instrument to be used**  
DC voltmeter
- Adjusting procedure**
  - Connect the voltmeter terminal (+) to 9V terminal of AVR unit (X43-0010-00), and terminal (-) to the ground.

- Check to be sure that the voltmeter is indicating +9V.
- If voltmeter indication is off +9V, adjust VR1 on AVR unit to obtain this voltage value. VR1 is a 500-ohm variable resistor.

## 2. IF UNIT adjustment (X48-0011-00)

- Purpose**  
To secure the specified bandwidth by adjusting the band-pass filter (B.P.F.).
- Instruments required**
  - Sweep generator, producing the marker preferably at these 3 points: 8.295, 8.595 and 8.895 MHz.
  - B.P.F. detector
  - Oscilloscope
- Adjusting procedure (Refer to Fig. 1)**
  - Connect the output terminal of sweep generator to T.P terminal of RF unit (X44-0020-00) through a 0.01 $\mu$ F capacitor.
  - Through the B.P.F. detector, connect the oscilloscope to T.P terminal on IF unit (X48-0011-00).
  - Display the waveform (shown in Fig. 3) on the oscilloscope by adjusting T1, T2 and T3 on IF unit.

### B. IFT adjustment

- Purpose**  
To adjust the intermediate-frequency transformer in IF unit.
- Instruments required**
  - SSG
  - AF vacuum tube voltmeter
  - Oscilloscope

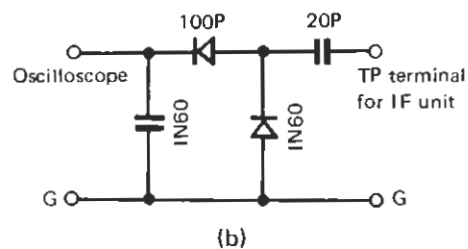
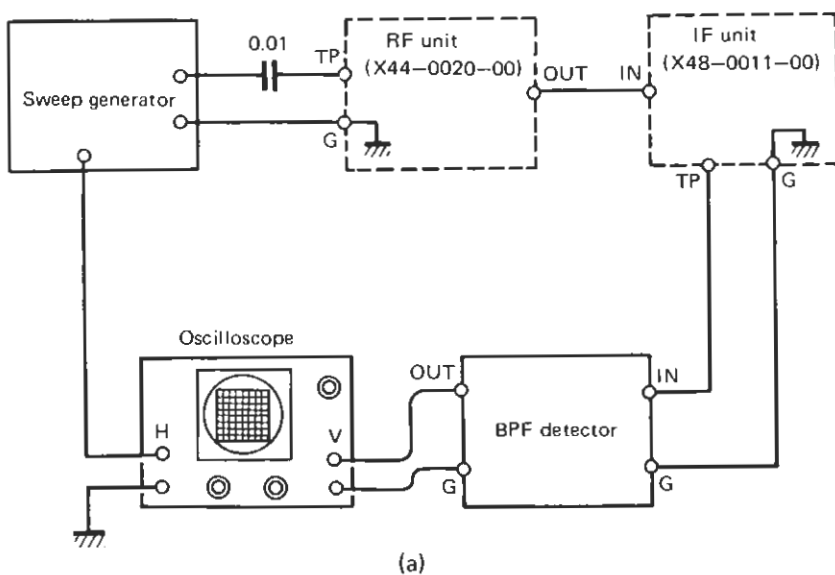


Fig. 2

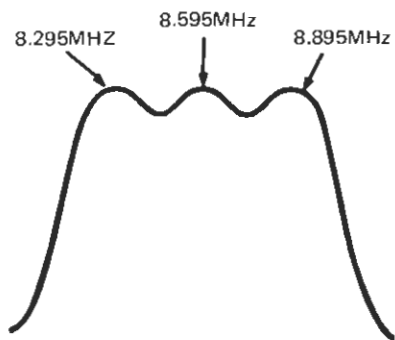


Fig. 3

### (3) Adjusting procedure

- 1) Apply a signal to ANT terminal from SSG. Any frequency will do for this signal; its intensity should be such as to deflect the S meter pointer slightly.
- 2) Turn MODE switch to USB or LSB, and adjust VFO and PRESELECTOR for maximum sensitivity.
- 3) Adjust T4, T5 and T6 on IF unit for maximum sensitivity.
- 4) Adjust T7 to minimize AF output.
- 5) Connect AF vacuum-tube voltmeter to AF2 terminal of IF unit (X48-0011-00).
- 6) Set the SSG output level at 60 dB (1 mV).
- 7) Adjust VR1 (1 kilohm) to obtain a 15 mV indication on AF voltmeter.

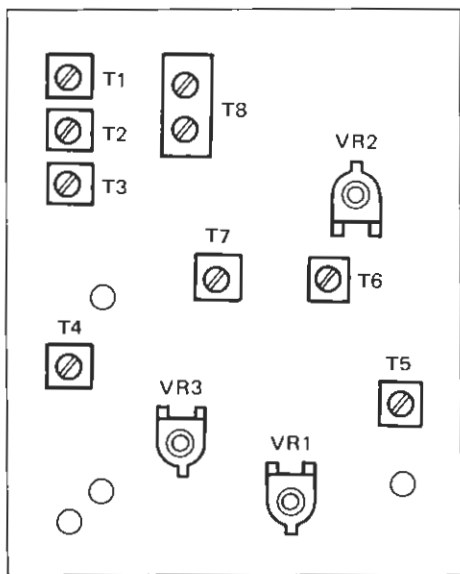


Fig. 4 IF UNIT

- 8) Disconnect the AF voltmeter; connect the oscilloscope to AF2 terminal and observe the waveform displayed. By referring to this display, adjust VR2 for maximized output and minimized distortion.
- 9) Switch SSG to FM mode with 7-kHz deviation on center frequency of 10 MHz, and turn down its output level to a proper value.
- 10) Move MODE switch into FM position.
- 11) Adjust at primary side of T7 and T8 (red) to maximize AF output.
- 12) Switch SSG to AM mode. At secondary side (black) of T8, adjust to minimize AF output.

#### NOTE:

At this time, switch over SELECTIVITY to 0.5 kHz and 2.5 kHz to be sure that the SSG frequency is right on the center.

### 3. RIT adjustment

#### (1) Purpose

Set RIT knob in 0 position, and operate RIT switch on and off.

The purpose is to make sure the VFO frequency remains the same as the switch is so operated.

#### (2) Instrument required

DC voltmeter

#### (3) Adjusting procedure

- 1) Connect the voltmeter to R terminal of VFO unit.
- 2) Operate RIT switch on and off and observe the voltmeter indication.

So that the indication will not change with on-off operation of RIT switch, adjust VR2 (10 kilohms) on AVR unit (X43-0010-00).

### 4. Main dial adjustment

#### (1) Purpose

To calibrate the main dial at 14 MHz band.

#### (2) Instrument required

Marker generator

#### (3) Adjusting procedure

- 1) Set the marker generator at 14 MHz and apply its output to the antenna input side of R-599.
- 2) Reduce the beat to zero between the marker signal and the VFO frequency, by turning the main tuning knob.
- 3) Index "0" graduation mark of the main dial to the red line on the tuning dial.



## 5. RF UNIT adjustment

### A. OSC coil adjustment (Refer to Fig. 5)

#### (1) Purpose

To tune OSC coil.

#### (2) Instrument required

RF vacuum-tube voltmeter

#### (3) Adjusting procedure

- 1) Connect RF voltmeter to OSC terminal on RF unit (X44-1020-00).
- 2) Set BAND switch in 1.8 MHz position.
- 3) Adjust the core of 1.8 OSC coil to such a position that will give an indication 1 dB below the maximum value on the RF voltmeter.
- 4) Make a similar adjustment on each of the bands 3.5 ~ 29.1.

### B. Adjustment of ANT and RF COILS

#### (1) Purpose (Refer to Fig. 5)

To tune ANT and RF coils.

#### (2) Instruments required

- 1) SSG
- 2) AF vacuum-tube voltmeter

#### (3) Adjusting procedure

Make connections as shown in Fig. 6 Turn MODE knob to AM position.

Turn the dial to "0".

#### 1) 1.8 MHz band

- a) Set the SSG to 1.8 MHz.
- b) Set PRESELECTOR in 10 o'clock position.
- c) Adjust 1.8 MHz ANT and RF coils to maximize output voltage.

#### 2) 3.5 MHz band

- a) Set the SSG to 3.5 MHz.
- b) Set PRESELECTOR in 30 minutes-after-10 o'clock position.  
(Leave PRESELECTOR in this position for the subsequent adjustments.)
- c) Adjust 3.5 MHz ANT and RF coils to maximize output voltage.
- d) Set the SSG to 3.395 MHz.
- e) Adjust L4 trap coil to minimize output voltage.

#### 3) 7 MHz band

- a) Set the SSG to 7.0 MHz.
- b) Adjust 7 MHz ANT and RF coils to maximize output voltage.
- c) Set the SSG to 8.895 MHz.
- d) Adjust L1 trap coil to minimize output voltage.
- e) Set the SSG to 8.295 MHz.
- f) Turn the dial to "500".
- g) Adjust L2 trap coil to minimize output voltage.

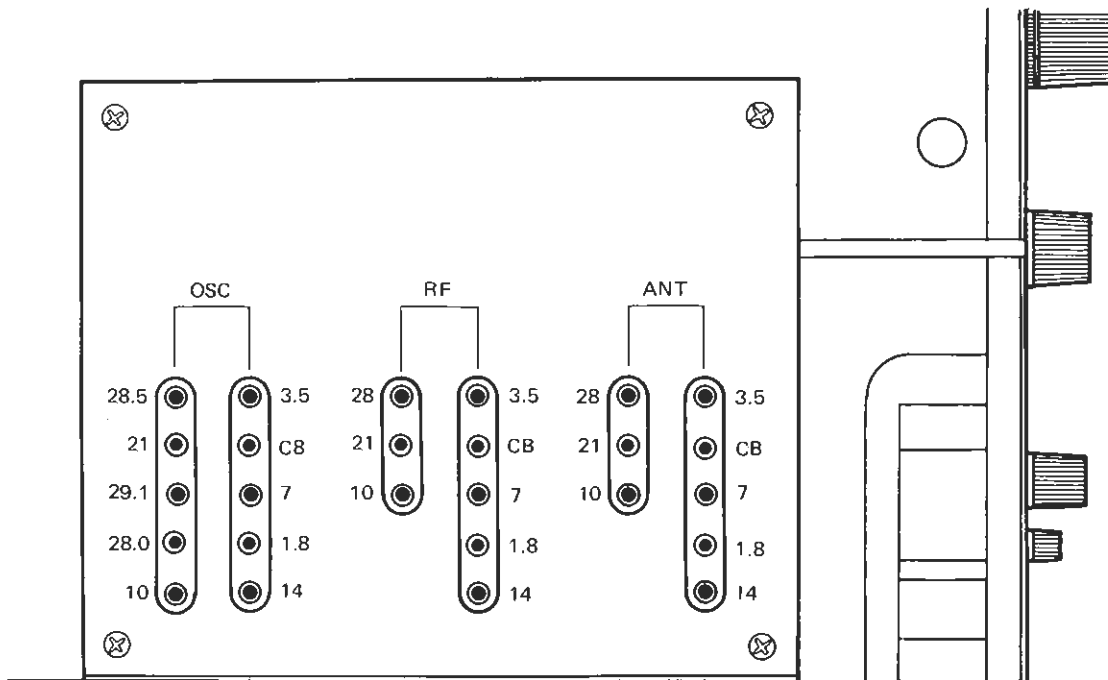


Fig. 5

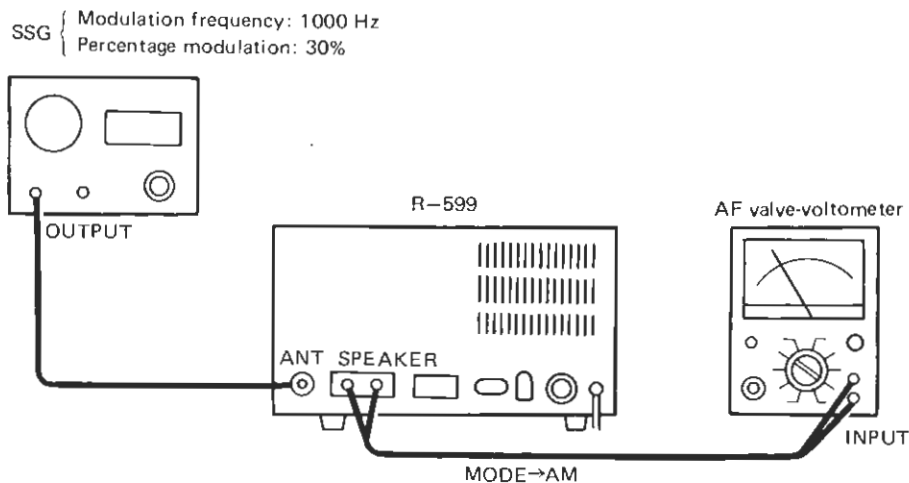


Fig. 6

- 4) 14 MHz band
  - a) Set the SSG to 14.0 MHz.
  - b) Turn the dial to "0".
  - c) Adjust 14 MHz ANT and RF coils to maximize output voltage.
- 5) For 21 MHz, 28.0 MHz, CB and WWV bands, carry out the steps outlined for (4) above, adjusting respective ANT and RF coils.

**NOTE:**

The foregoing adjustments are for ensuring that the AGC characteristic will maintain the receiver output at a constant value for changes in input from the antenna. For this reason, ATT should be kept turned CCW all the way on the SSG.

## 6. S METER adjustment

- (1) **Purpose**  
To make the S meter indicates S9 with the specified input.
- (2) **Instrument required**  
SSG
- (3) **Adjusting procedure**
  - 1) Connect SSG output terminal to ANT.
  - 2) Turn BAND switch to 14.
  - 3) Move MODE switch into USB position.
  - 4) Turn the dial to "200".
  - 5) Set the SSG to 14.2 MHz, with its output steadied at 20 dB (10 $\mu$ V) in non-modulating mode.
  - 6) Turn PRESELECTOR knob to maximize S meter indication.
  - 7) Raise the SSG output level to 100 dB (0.1V).
  - 8) Adjust IF unit (X48-0011-00) VR3 to bring S meter indication down to 60 dB. VR3 is a 10-kilohm variable resistor located on top of IF unit.
  - 9) Adjust the SSG output to 40 dB (100 $\mu$ V).
  - 10) Adjust VR1 (100-kilohms) on RF unit (X44-0020-00) to bring S meter indication to 9.

## 7. MONITOR circuit adjustment

- (1) **Purpose**  
To set the receiver sensitivity in monitoring mode at a level 60 dB below the normal level.
- (2) **Instrument required**  
SSG
- (3) **Adjusting procedure**
  - 1) Carry out the steps 1) to 4), (3), 6. "S METER adjustment".
  - 2) Set the SSG to 14.2 MHz, with its output at 40 dB. (Check to be sure that S meter indication is 9 with this setting of SSG.)
  - 3) Move FUNCTION switch to MONI position.
  - 4) Raise SSG output to 100 dB.
  - 5) Adjust VR2 (5 kilohms) make the S meter indicate 9.

## 8. SIDETONE LEVEL adjustment

- (1) **Purpose**  
To set the side tone output level.
- (2) **Instruments required**
  - 1) AF generator
  - 2) 8-ohm dummy
  - 3) AF vacuum-tube voltmeter
- (3) **Adjusting procedure**
  - 1) Set AF CAIN knob in 12 o'clock position.
  - 2) Connect the 8-ohm dummy to SPEAKER terminal.
  - 3) Connect the output terminal of AF generator to pins 15 and 16 of REMOTE terminal.
  - 4) Adjust AF generator output to 1V (1 kHz).
  - 5) Connect AF vacuum-tube voltmeter across the 8-ohm dummy.
  - 6) Adjust VR1 (50-kilohms) on AF unit (X49-1040-10) to produce a 0.63V AF output.

## 9. MARKER UNIT adjustment (X52-0005-01)

### (1) Purpose

To set the crystal oscillator frequency.

### (2) Instrument required

Frequency counter

### (3) Adjusting procedure

- 1) Set FUNCTION switch in "25 kHz CAL" position.
- 2) Connect the frequency counter to MO and GND terminals of the marker unit.
- 3) Adjust the TC1 trimmer (50 PF) on the marker unit to obtain a 25 kHz $\pm$ 2 Hz indication on the frequency counter.

## 10. NB UNIT adjustment (X54-1080-10)

### (1) Purpose

To tune the noise blanker circuit.

### (2) Instruments required

- 1) SSG
- 2) RF vacuum tube voltmeter
- 3) DC voltmeter

### (3) Adjusting procedure

- 1) Turn BAND switch to 14 MHz, MODE switch to USB, and NB switch (NB PULL ON) to "ON" position.
- 2) From SSG, apply a non-modulated signal, 14.175 MHz and -6 dB (0.5 $\mu$ V).
- 3) Connect RF vacuum-tube voltmeter to OUT terminal on NB unit.
- 4) Maximize the output voltage by adjusting T1 through T5 on NB unit.  
Repeat the adjustment twice or thrice to maximize output as much as possible.
- 5) Adjust the SSG output voltage to 60 dB (1mV), and adjust T6 and T7 to minimize the collector voltage of Q6.

## 11. FILTER UNIT adjustment (X51-1050-10)

### (1) Purpose

To set the center frequency of the filter unit.

### (2) Instrument required

SSG

### (3) Adjusting procedure

- 1) From SSG, apply a non-modulated signal. Any frequency will do for this signal; the signal level should high enough only to deflect the S meter pointer slightly.
- 2) Move MODE switch into USB or LSB position, and adjust VFO and PRESELECTOR for maximized sensitivity.
- 3) Switch over SELECTIVITY to 25 kHz, and adjust T1 and T2 (X51-1060-10) on filter unit to maximize sensitivity.

#### NOTE:

Do not disturb SSG and VFO: it is the center frequency that is being set and, for this purpose, both SSG and VFO must remain undisturbed.

# PARTS LIST

## ■ PARTS LISTS OF R-599S

Circuit No.	Parts No.	Description	Remarks
<b>MISCELLANEOUS</b>			
—	A01-0008-02	Case	
—	A10-0016-32	Chassis	
—	A20-0640-03	Panel	
—	A23-0394-03	Rear panel	
—	A40-0003-02	Bottom plate	
—	B07-0007-14	Indicator	
—	B07-0098-03	Dial escutcheon	
—	B08-2010-04	Indicator	
—	B09-0003-05	Shaft coupling	
—	B19-0015-04	Filter (for meter)	
—	B19-0139-04	Acrylboard	
—	B20-0267-04	Dial board	
—	B30-0005-05	Pilot lamp x3	
—	B30-0079-05	Pilot lamp (VFO indicator)	
—	B31-0004-015	Meter	
—	B40-0425-04	Name plate	
—	B42-0009-04	Passed sticker	
—	B42-0386-04	Name sticker	
—	B42-039B-04	Name sticker (RF adjustment)	
—	D21-0025-04	Shaft	
—	D23-0061-04	Bearing	
—	D32-0021-04	Switch stopper	
—	E03-0301-05	Plug	
—	E04-0113-05	Receptacle, type M	
—	E04-0115-05	Receptacle, type M	
—	E05-0701-05	Plug (7P)	
—	E08-0203-25	2P socket	
—	E08-1601-15	16P socket	
—	E09-0203-15	2P plug	
—	E09-1601-05	16P plug	
—	E11-0034-05	US jack	
—	E20-0208-04	2P terminal	
—	E22-0206-05	Lug board	
—	E22-0207-05	Lug board	
—	E22-0405-05	Lug board x4	
—	F05-5013-05	Fuse (0.5A)	
—	F07-0067-04	Plate x2	
—	F07-0291-04	Shield plate	
—	F11-0014-14	Shield case	
—	F14-0002-04	Shading plate	
—	J02-0010-04	Legs x4	
—	J02-0005-14	Sub-legs x2	
—	J11-0020-05	Clamper	
—	J13-0002-05	Fuse holder x3	
S10	J13-0003-05	Fuse holder	
—	J20-0008-14	VFO mounting plate	
—	J20-0245-04	Meter mounting plate	
—	J21-0047-04	Mounting hardware	
—	J21-1057-04	Lamp mounting hardware	
—	J21-1058-04	Lamp mounting hardware	
—	J21-1069-04	PC board mounting hardware	
—	J32-0015-04	Screw, with hexagon hole x4	
—	J32-0078-04	Screw, with hexagon hole x4	
—	J41-0024-14	Cord bushing	
—	J59-0001-05	Grommet	
—	J59-0002-05	Plunger	

Circuit No.	Parts No.	Description	Remarks
-	J61-0018-05	Beeded band x9	
-	J61-0036-05	Belt	
-	K20-0120-13	Knob (MAIN)	
-	K20-0121-14	Knob	
-	K20-0122-04	Knob x2	
-	K20-0123-14	Knob	
-	K20-0124-14	Knob	
-	K20-0125-04	Knob x6	
-	K29-0144-03	Thumb collar	
-	L09-0001-15	Power transformer	
-	L15-0002-15	Low frequency transformer	
-	L33-0110-05	Ferri-inductor	
-	S03-1002-05	Rotary switch	
-	S04-2006-25	Rotary switch	
-	S29-3001-05	Rotary switch	
-	S31-2007-05	Slide switch	
-	S44-2001-05	Power switch	
-	S51-4019-25	Relay	
-	X40-0016-08	VFO UNIT	
-	X43-0010-00	AVR UNIT	
-	X44-0020-00	RF UNIT	
-	X46-0002-00	2m CRYSTAL CONVERTOR UNIT	
-	X48-0011-00	IF UNIT	
-	X49-1040-10	AF UNIT	
-	X50-0002-00	CARRIER UNIT	
-	X50-1140-10	FIXED CHANNEL UNIT	
-	X51-1050-10	FILTER UNIT	
-	X52-0005-01	MARKER UNIT	
-	X54-1080-10	NB UNIT	
<b>CAPACITOR</b>			
C1	CE04W1H010	Electrolytic	1 $\mu$ F 50WV
C2	CE04W1E4R7	Electrolytic	4.7 $\mu$ F 25WV
C3~5	CK45F1E403Z	Ceramic	0.04 $\mu$ F +80%, -20%
C6~8	C90-0074-05	Electrolytic block	1000 $\mu$ F 25WV
C9	C90-0145-05	Polyester	0.01 $\mu$ F $\pm$ 20%
C10	CK45F1E103Z	Ceramic	0.01 $\mu$ F +80%, -20%
C11	CK45F1E403Z	Ceramic	0.04 $\mu$ F +80%, -20%
C12	CC45SL1H470K	Ceramic	47pF $\pm$ 10%
C13	CK45F1E103Z	Ceramic	0.01 $\mu$ F +80%, -20%
C14	CK45D1H102M	Ceramic	0.001 $\mu$ F $\pm$ 20%
<b>RESISTOR</b>			
R1~3	PD14BY2E472J	Carbon	4.7k $\Omega$ $\pm$ 5% 1/4W
R4	RC05GF2H100J	Carbon	10 $\Omega$ $\pm$ 5% 1/2W
R5	RC05GF2H560J	Carbon	56 $\Omega$ $\pm$ 5% 1/2W
<b>SEMICONDUCTOR</b>			
D1		S1B02-01C	
D2~4		1N60	
<b>POTENTIOMETER</b>			
-	R03-2012-05	RIT	
-	R03-3052-05	RF GAIN	
-	R08-9008-05	AF SQUELCH	
VR1	R12-2014-05	PC trimmer	

■ PARTS LISTS OF X40-0016-08 (VFO UNIT)

Circuit No.	Parts No.	Description	Remarks
<b>CAPACITOR</b>			
C1	CC94PG1H470J	Ceramic 47pF ±5%	(Adjustment) (Adjustment)
C2, 3	CC94LG1H150J	Ceramic 15pF ±5%	
C3	CC94PG1H150J	Ceramic 15pF ±5%	
C3	CC94CG1H150J	Ceramic 15pF ±5%	
C4	CC94SG1H070J	Ceramic 7pF ±5%	
C5	CC94LG1H470J	Ceramic 47pF ±5%	
C6	CC94LG1H220J	Ceramic 22pF ±5%	
C7, 8	CM93F2A151J(DM)	Mica 150pF ±5%	
C9	CM93D1H030D(Z)	Mica 3pF ±0.5pF	
C10	CK94YG1E203Z	Ceramic 0.02μF +80%, -20%	
C11, 12	CK94YG1E403Z	Ceramic 0.04μF +80%, -20%	
C13	CK94YG1E203Z	Ceramic 0.02μF +80%, -20%	
C14	CC45SL1H330J	Ceramic 33pF ±5%	
C15	CC94SL1H050D	Ceramic 5pF ±0.5pF	
C16	CC94SL1H100D	Ceramic 10pF ±0.5pF	
C17	CC94SL1H050D	Ceramic 5pF ±0.5pF	
C18	CK94YG1E103Z	Ceramic 0.01μF +80%, -20%	
C19	CK94YG1E403Z	Ceramic 0.04μF +80%, -20%	
C20	CC94CG1H100J	Ceramic 10pF ±5%	
<b>RESISTOR</b>			
R1	PD14BY2E274J	Carbon 270kΩ ±5% 1/4W	
R2	PD14BY2E101J	Carbon 100Ω ±5% 1/4W	
R3, 4	PD14BY2E105J	Carbon 1MΩ ±5% 1/4W	
R5	PD14BY2E331J	Carbon 330Ω ±5% 1/4W	
R6	PD14BY2E333J	Carbon 33kΩ ±5% 1/4W	
R7	PD14BY2E473J	Carbon 47kΩ ±5% 1/4W	
R8	PD14BY2E102J	Carbon 1kΩ ±5% 1/4W	
R9	PD14BY2E101J	Carbon 100Ω ±5% 1/4W	
<b>SEMICONDUCTOR</b>			
Q1		3SK22 (Y)	
Q2		2SK19 (Y)	
Q3, 4		2SC460 (B)	
D1		SD111	
D2, 3		1N60	
<b>MISCELLANEOUS</b>			
-	B42-0010-04	Name plate	
-	C01-0001-25	Variable capacitor	
-	C03-0001-05	Variable capacitor	
-	C03-0001-05	Variable capacitor	
TC2	C05-0013-15	PC trimmer	
-	D40-0161-05	VFO gear mechanism	
-	D22-0011-05	Shaft coupling	
-	E22-0207-05	Lug board	
-	E23-0014-04	Terminal	
-	F11-0004-23	VFO Box (A)	
-	F11-0005-04	VFO Box (B)	
-	F11-0007-14	VFO Box (D)	
-	F11-0008-04	VFO Box (E)	
-	F11-0010-04	VFO Box (G)	
-	F11-0011-04	VFO Box (H)	
-	F11-0012-04	VFO Box (I)	
-	F11-0121-14	VFO Box (C)	
-	F11-0175-05	VFO Box (F)	

Circuit No.	Parts No.	Description	Remarks
L1	L32-0098-05	Oscillator coil	
L2 ~ 4	L33-0104-05	Ferri-inductor	
L5	L33-0091-05	Ferri-inductor	
L6, 7	L33-0104-05	Ferri-inductor	

■ PARTS LISTS OF X43-0010-00 (AVR UNIT)

Circuit No.	Parts No.	Description	Remarks
<b>CAPACITOR</b>			
C1	CE04W1C101	Electrolytic 100 $\mu$ F 16WV	
<b>RESISTOR</b>			
R1	PD14BY2E103J	Carbon 10k $\Omega$ $\pm$ 5% 1/4W	
R2	PD14BY2E683J	Carbon 68k $\Omega$ $\pm$ 5% 1/4W	
R3	PD14BY2E331J	Carbon 330 $\Omega$ $\pm$ 5% 1/4W	
R4	PD14BY2E471J	Carbon 470 $\Omega$ $\pm$ 5% 1/4W	
R5	PD14BY2E821J	Carbon 820 $\Omega$ $\pm$ 5% 1/4W	
R6	PD14BY2E222J	Carbon 2.2k $\Omega$ $\pm$ 5% 1/4W	
R7	PD14BY2E272J	Carbon 2.7k $\Omega$ $\pm$ 5% 1/4W	
R8	PD14BY2E222J	Carbon 2.2k $\Omega$ $\pm$ 5% 1/4W	
R9	PD14BY2E471J	Carbon 470 $\Omega$ $\pm$ 5% 1/4W	
R10	PD14BY2E392J	Carbon 3.9k $\Omega$ $\pm$ 5% 1/4W	
R11	PD14BY2E102J	Carbon 1k $\Omega$ $\pm$ 5% 1/4W	
<b>SEMICONDUCTOR</b>			
Q1		2SA606 (L)	
Q2 ~ 4		2SC372	
D1		WZ-061	
<b>POTENTIOMETER</b>			
VR1	R12-0031-05	PC trimmer	
VR2	R12-3003-05	PC trimmer	

■ PARTS LISTS OF X44-0020-00 (RF UNIT)

Circuit No.	Parts No.	Description	Remarks
<b>CAPACITOR</b>			
C1	CM93D1H101J(Z)	Mica 100pF $\pm$ 5%	
C2	CM93D2A102J	Mica 1000pF $\pm$ 5%	
C3	CM93D1H330J(Z)	Mica 33pF $\pm$ 5%	
C4	CC94SL1H101K	Ceramic 100pF $\pm$ 10%	
C5	CK94YG1E502Z	Ceramic 0.005 $\mu$ F +80%, -20%	
C6, 7	CK94YG1E403Z	Ceramic 0.04 $\mu$ F +80%, -20%	
C8	CC94SL1H101K	Ceramic 100pF $\pm$ 10%	
C9	CM93D1H330J(Z)	Mica 33pF $\pm$ 5%	
C10	CC94SL1H101K	Ceramic 100pF $\pm$ 10%	
C11	CK94YG1E403Z	Ceramic 0.04 $\mu$ F +80%, -20%	
C12	CC94SL1H020D	Ceramic 2pF $\pm$ 0.5pF	
C13	CM93D1H050J(Z)	Mica 5pF $\pm$ 5%	
C14	CK94YG1E403Z	Ceramic 0.04 $\mu$ F +80%, -20%	
C15	CK94YG1E103Z	Ceramic 0.01 $\mu$ F +80%, -20%	
C16	CM93D1H220J(Z)	Mica 22pF $\pm$ 5%	
C17	CM93D1H330J(Z)	Mica 33pF $\pm$ 5%	
C18	CC94SL1H220K	Ceramic 22pF $\pm$ 10%	

Circuit No.	Parts No.	Description			Remarks
C19	CC94SL1H030D	Ceramic	3pF	±0.5pF	
C20	CK94YG1E403Z	Ceramic	0.04μF	+80%, -20%	
C21	CK94YG1E103Z	Ceramic	0.01μF	+80%, -20%	
C22	CK94YG1E403Z	Ceramic	0.04μF	+80%, -20%	
C23	CE04W1HR47	Electrolytic	0.47μF		50WV
<b>RESISTOR</b>					
R1	PD14BY2E474J	Carbon	470kΩ	±5%	1/4W
R2	PD14BY2E332J	Carbon	3.3kΩ	±5%	1/4W
R3	PD14BY2E222J	Carbon	2.2kΩ	±5%	1/4W
R4	PD14BY2E101J	Carbon	100Ω	±5%	1/4W
R5	PD14BY2E474J	Carbon	470kΩ	±5%	1/4W
R6	PD14BY2E332J	Carbon	3.3kΩ	±5%	1/4W
R7	PD14BY2E104J	Carbon	100kΩ	±5%	1/4W
R8	PD14BY2E101J	Carbon	100Ω	±5%	1/4W
R10	PD14BY2E333J	Carbon	33kΩ	±5%	1/4W
R11	PD14BY2E102J	Carbon	1kΩ	±5%	1/4W
R12	PD14BY2E104J	Carbon	100kΩ	±5%	1/4W
R13 ~ 15	PD14BY2E101J	Carbon	100Ω	±5%	1/4W
R16	PD14BY2E470J	Carbon	47Ω	±5%	1/4W
<b>SEMICONDUCTOR</b>					
Q1, 2		3SK22 (GR)			
Q3		2SK19 (GR)			
Q4		2SC460 (B)			
D1, 2		1N60			
D3		MZ1004			
<b>COIL</b>					
-	L31-0010-05	8.3 Trap coil			
-	L31-0011-05	8.8 Trap coil			
-	L31-0012-05	12.3 Trap coil			
L3, 5, 6	L33-0104-05	Ferri-inductor			
-	L60-0002-12	Coil pack			
<b>MISCELLANEOUS</b>					
-	C01-0002-15	Variable capacitor			
VR1	R12-5016-05	PC trimmer			
-	F10-0009-04	Shield plate (B)			
-	F10-0010-04	Shield plate (C) x2			
-	F10-0011-04	Shield plate (D) x2			
-	F10-0309-02	Shield plate (A)			

■ PARTS LISTS OF X46-0002-00 (2m CRYSTAL CONVERTOR UNIT)

Circuit No.	Parts No.	Description			Remarks
<b>CAPACITOR</b>					
C1	CC45CH1H050D	Ceramic	5pF	±0.5pF	
C2	CC45CH1H100D	Ceramic	10pF	±0.5pF	
C3 ~ 7	CK94YG1E103Z	Ceramic	0.01μF	+80%, -20%	
C8	CC45CH1H030D	Ceramic	3pF	±0.5pF	
C9, 10	CC45CH1H050D	Ceramic	5pF	±0.5pF	
C11	CC45CH1H220J	Ceramic	22pF	±5%	
C12 ~ 14	CK94YG1E103Z	Ceramic	0.01μF	+80%, -20%	
C15	CC94SH1H020D	Ceramic	2pF	±0.5pF	
C16	CC45CH1H150J	Ceramic	15pF	±5%	
C17	CK94YX1H471K	Ceramic	470pF	±10%	



Circuit No.	Parts No.	Description			Remarks
C18	CK94YG1E103Z	Ceramic	0.01 $\mu$ F	+80%, -20%	
C19	CC45CH1H220J	Ceramic	22pF	$\pm$ 5%	
C20, 21	CK94YG1E103Z	Ceramic	0.01 $\mu$ F	+80%, -20%	
C22	CC45CH1H220J	Ceramic	22pF	$\pm$ 5%	
C23	CK94YG1E103Z	Ceramic	0.01 $\mu$ F	+80%, -20%	
C24	CC45CH1H220J	Ceramic	22pF	$\pm$ 5%	
C25, 26	CK94YG1E103Z	Ceramic	0.01 $\mu$ F	+80%, -20%	
C27	CC45CH1H220J	Ceramic	22pF	$\pm$ 5%	
C28	CK94YG1E103Z	Ceramic	0.01 $\mu$ F	+80%, -20%	
C29	CC45CH1H220J	Ceramic	22pF	$\pm$ 5%	
<b>RESISTOR</b>					
R1, 2	PD14CY2E104J	Carbon	100k $\Omega$	$\pm$ 5%	1/4W
R3	PD14CY2E394J	Carbon	390k $\Omega$	$\pm$ 5%	1/4W
R4	PD14CY2E332J	Carbon	3.3k $\Omega$	$\pm$ 5%	1/4W
R5	PD14CY2E101J	Carbon	100 $\Omega$	$\pm$ 5%	1/4W
R6	PD14CY2E104J	Carbon	100k $\Omega$	$\pm$ 5%	1/4W
R7	PD14CY2E332J	Carbon	3.3k $\Omega$	$\pm$ 5%	1/4W
R8	PD14CY2E102J	Carbon	1k $\Omega$	$\pm$ 5%	1/4W
R9	PD14CY2E471J	Carbon	470 $\Omega$	$\pm$ 5%	1/4W
R10	PD14CY2E102J	Carbon	1k $\Omega$	$\pm$ 5%	1/4W
R11	PD14CY2E391J	Carbon	390 $\Omega$	$\pm$ 5%	1/4W
R12	PD14CY2E683J	Carbon	68k $\Omega$	$\pm$ 5%	1/4W
R13	PD14CY2E682J	Carbon	6.8k $\Omega$	$\pm$ 5%	1/4W
R14	PD14CY2E102J	Carbon	1k $\Omega$	$\pm$ 5%	1/4W
R15	PD14CY2E391J	Carbon	390 $\Omega$	$\pm$ 5%	1/4W
R16	PD14CY2E683J	Carbon	68k $\Omega$	$\pm$ 5%	1/4W
R17	PD14CY2E682J	Carbon	6.8k $\Omega$	$\pm$ 5%	1/4W
R18	PD14CY2E824J	Carbon	820k $\Omega$	$\pm$ 5%	1/4W
R19	PD14CY2E562J	Carbon	5.6k $\Omega$	$\pm$ 5%	1/4W
R20	PD14CY2E104J	Carbon	100k $\Omega$	$\pm$ 5%	1/4W
<b>SEMICONDUCTOR</b>					
Q1, 2		3SK22 (GR)			
Q3, 4		2SC535 (B)			
Q5		2SC460 (B)			
D1, 2		1N60			
D3		MZ1004			
D4, 5		1S-85 (W)			
<b>COIL</b>					
L1	L34-0028-35	VHF coil			
L2	L33-0027-04	Choke coil			
L3	L34-0029-45	VHF coil			
L4	L31-0039-04	Tuning coil			
L5, 6	L31-0040-04	Tuning coil			
L7	L34-0030-04	VHF coil			
<b>MISCELLANEOUS</b>					
-	F10-0031-14	Shield plate (A)			
-	F10-0032-14	Shield plate (B)			
X1	L77-0033-05	Crystal oscillator (38.666 MHz)			
X2	L77-0034-05	Crystal oscillator (39.233 MHz)			
VR1, 2	R12-4015-05	PC trimmer	50k $\Omega$ (B)		
CT1 ~ 3	C05-0009-15	Trimmer			

■ PARTS LIST OF X48-0011-00 (IF UNIT)

Circuit No.	Parts No.	Description				Remarks
<b>CAPACITOR</b>						
C1	CM93D2H101JZ	Mica	100pF	±5%		
C2	CM93D2H390JZ	Mica	39pF	±5%		
C3	CM93D2H121JZ	Mica	120pF	±5%		
C4	CK94YG1E403Z	Ceramic	0.04μF	+80%, -20%		
C5	CK94YG1E102Z	Ceramic	0.001μF	+80%, -20%		
C6	CK94YG1E403Z	Ceramic	0.04μF	+80%, -20%		
C7	CM93D2H100J	Mica	10pF	±5%		
C8, 9	CQ92M1H103K	Mylar	0.01μF	±10%		
C10	CC94SL1H101K	Ceramic	100pF	±10%		
C11	CK94YG1E403Z	Ceramic	0.04μF	+80%, -20%		
C12	CC94SL1H050D	Ceramic	5pF	±0.5pF		
C13, 14	CC94SL1H330K	Ceramic	33pF	±10%		
C15	CK94YG1E403Z	Ceramic	0.04μF	+80%, -20%		
C16	CQ93M1H472K	Mylar	0.0047μ	±10%		
C17	CE04W1HR47	Electrolytic	0.47μF		50WV	
C18	CK94YG1E103Z	Ceramic	0.01μF	+80%, -20%		
C19	CC94SL1H221K	Ceramic	220pF	±10%		
C20	CC94SL1H470K	Ceramic	47pF	±10%		
C21	CQ92M1H103K	Mylar	0.01μF	±10%		
C22	CE04W1HR47	Electrolytic	0.47μF		50WV	
C23	CQ92M1H103K	Mylar	0.01μF	±10%		
C24	CK94YG1E102Z	Ceramic	0.001μF	+80%, -20%		
C25	CE04W1H010	Electrolytic	1μF		50WV	
C26	CE04W1C330	Electrolytic	33μF		16WV	
C27, 28	CK94YG1E403Z	Ceramic	0.04μF	+80%, -20%		
C29	CM93D2H101JZ	Mica	100pF	±5%		
C30	CK94YG1E403Z	Ceramic	0.04μF	+80%, -20%		
C31	CE04W1C100	Electrolytic	10μF		16WV	
C32	CK94YG1E102Z	Ceramic	0.001μF	+80%, -20%		
C33	CK94YG1E103Z	Ceramic	0.01μF	+80%, -20%		
C34	CQ93M1H473K	Mylar	0.047μF	±10%		
<b>RESISTOR</b>						
R1	PD148Y2E332J	Carbon	3.3kΩ	±5%	1/4W	
R2	PD148Y2E103J	Carbon	10kΩ	±5%	1/4W	
R3	PD148Y2E331J	Carbon	330Ω	±5%	1/4W	
R4, 5	PD148Y2E102J	Carbon	1kΩ	±5%	1/4W	
R6	PD148Y2E223J	Carbon	22kΩ	±5%	1/4W	
R7	PD148Y2E683J	Carbon	68kΩ	±5%	1/4W	
R8	PD148Y2E473J	Carbon	47kΩ	±5%	1/4W	
R9	PD148Y2E103J	Carbon	10kΩ	±5%	1/4W	
R10	PD148Y2E102J	Carbon	1kΩ	±5%	1/4W	
R11	PD148Y2E153J	Carbon	15kΩ	±5%	1/4W	
R12	PD148Y2E472J	Carbon	4.7kΩ	±5%	1/4W	
R13	PD148Y2E104J	Carbon	100kΩ	±5%	1/4W	
R14 ~ 16	PD148Y2E103J	Carbon	10kΩ	±5%	1/4W	
R17	PD148Y2E104J	Carbon	100kΩ	±5%	1/4W	
R18	PD148Y2E473J	Carbon	47kΩ	±5%	1/4W	
R19	PD148Y2E105J	Carbon	1MΩ	±5%	1/4W	
R20	PD148Y2E330J	Carbon	33Ω	±5%	1/4W	
R21, 22	PD148Y2E103J	Carbon	10kΩ	±5%	1/4W	
R23	PD148Y2E184J	Carbon	180kΩ	±5%	1/4W	
R24	PD148Y2E330J	Carbon	33Ω	±5%	1/4W	
R25	PD148Y2E473J	Carbon	47kΩ	±5%	1/4W	
R26, 27	PD148Y2E472J	Carbon	4.7kΩ	±5%	1/4W	
R28	PD148Y2E332J	Carbon	3.3kΩ	±5%	1/4W	
R29	PD148Y2E473J	Carbon	47kΩ	±5%	1/4W	
R30	PD148Y2E472J	Carbon	4.7kΩ	±5%	1/4W	
R31	PD148Y2E102J	Carbon	1kΩ	±5%	1/4W	
R32	PD148Y2E471J	Carbon	470Ω	±5%	1/4W	
R33, 34	PD148Y2E102J	Carbon	1kΩ	±5%	1/4W	

Circuit No.	Parts No.	Description	Remarks
R35	PD14BY2E 153J	Carbon 15k $\Omega$ $\pm$ 5%	1/4W
R36	PD14BY2E472J	Carbon 4.7k $\Omega$ $\pm$ 5%	1/4W
R37, 38	PD14CY2E 104J	Carbon 100k $\Omega$ $\pm$ 5%	1/4W
<b>SEMICONDUCTOR</b>			
Q1		3SK22 (GR)	
Q2		TA7045M	
Q3		2SC460 (B)	
Q4		2SC733 (Y), (GR)	
Q5		2SA495 (Y)	
Q6		2SC733 (Y)	
Q7		2SC1000 (GR)	
Q8		2SC460 (B)	
D1 ~ 10		1N60	
D11, 12		1S1555	
<b>TRANSFORMER/COIL</b>			
T1	L30-0008-05	IFT (B.P.F)	
T2	L30-0009-05	IFT (B.P.F)	
T3	L30-0008-05	IFT (B.P.F)	
T4, 5	L30-0010-05	IFT	
T6	L30-0011-05	IFT	
T7	L30-0012-05	IFT	
T8	L30-0013-05	IFT	
L1	L33-0104-05	Ferri-inductor	
<b>POTENTIOMETER</b>			
VR1, 2	R12-1012-05	PC trimmer	
VR3	R12-3022-05	PC trimmer	

■ PARTS LISTS OF X49-1040-10 (AF UNIT)

Circuit No.	Parts No.	Description	Remarks
<b>CAPACITOR</b>			
C1	CE04W1H010(RL)	Electrolytic 1 $\mu$ F	50WV
C2	CQ92M1H4 73K	Polyester 0.047 $\mu$ F $\pm$ 10%	
C3	CE04W0J101(RL)	Electrolytic 100 $\mu$ F	6.3WV
C4	CS04E1ER47M	Tantulum 0.47 $\mu$ F	25WV
C5	CE04W1C100(RL)	Electrolytic 10 $\mu$ F	16WV
C6	CE04W1H010(RL)	Electrolytic 1 $\mu$ F	50WV
C7	CQ93M1H4 72K	Polyester 0.0047 $\mu$ F $\pm$ 10%	
C8	CE04W1A470(RL)	Electrolytic 47 $\mu$ F	10WV
C9	CE04W1C330(RL)	Electrolytic 33 $\mu$ F	16WV
C10	CE04W1C221(RL)	Electrolytic 220 $\mu$ F	16WV
C11	CK45F1H103Z	Ceramic 0.01 $\mu$ F +80%, -20%	
C12	CE04W1C470(RL)	Electrolytic 47 $\mu$ F	16WV
<b>RESISTOR</b>			
R1	PD14BY2E474J	Carbon 470k $\Omega$ $\pm$ 5%	1/4W
R2	PD14BY2E103J	Carbon 10k $\Omega$ $\pm$ 5%	1/4W
R3	PD14BY2E223J	Carbon 22k $\Omega$ $\pm$ 5%	1/4W
R4	PD14BY2E102J	Carbon 1k $\Omega$ $\pm$ 5%	1/4W
R5	PD14BY2E471J	Carbon 470 $\Omega$ $\pm$ 5%	1/4W
R6	PD14BY2E102J	Carbon 1k $\Omega$ $\pm$ 5%	1/4W
R7	PD14BY2E153J	Carbon 15k $\Omega$ $\pm$ 5%	1/4W
R8	PD14BY2E102J	Carbon 1k $\Omega$ $\pm$ 5%	1/4W
R9	PD14BY2E332J	Carbon 3.3k $\Omega$ $\pm$ 5%	1/4W
R10	PD14BY2E682J	Carbon 6.8k $\Omega$ $\pm$ 5%	1/4W

Circuit No.	Parts No.	Description	Remarks
R11	PD14BY2E152J	Carbon 1.5k $\Omega$ $\pm$ 5% 1/4W	
R12	PD14BY2E103J	Carbon 10k $\Omega$ $\pm$ 5% 1/4W	
R13	PD14BY2E330J	Carbon 33 $\Omega$ $\pm$ 5% 1/4W	
R14	PD14BY2E8R2J	Carbon 8.2 $\Omega$ $\pm$ 5% 1/4W	
R15	PD14BY2E471J	Carbon 470 $\Omega$ $\pm$ 5% 1/4W	
R16	PD14BY2E221J	Carbon 220 $\Omega$ $\pm$ 5% 1/4W	
R17, 18	R92-0041-25	Metal film 0.47 $\Omega$ $\pm$ 10% 1W	
<b>SEMICONDUCTOR</b>			
Q1		2SC1000 (GR)	
Q2		2SC734 (Y)	
Q3		2SD90 (O)	
Q4		2SB473 (C,D,N)	
D1, 2		1S1555	
<b>MISCELLANEOUS</b>			
L1	L33-0187-05	Magnetic shield inductor	
L2	L33-0025-05	Heater choke	
	R12-4016-05	PC trimmer	

■ PARTS LISTS OF X50-0002-00 (CARRIER UNIT)

Circuit No.	Parts No.	Description	Remarks
<b>CAPACITOR</b>			
C1	CK94YG1E102Z	Ceramic 0.001 $\mu$ F +80%, -20%	
C2	CM93D2H220J	Mica 22pF $\pm$ 5%	
C3	CK94YG1E102Z	Ceramic 0.001 $\mu$ F +80%, -20%	
C4	CM93D2H220J	Mica 22pF $\pm$ 5%	
C5	CK94YG1E102Z	Ceramic 0.001 $\mu$ F +80%, -20%	
C6	CM93D2H220J	Mica 22pF $\pm$ 5%	
C7	CK94YG1E102Z	Ceramic 0.001 $\mu$ F +80%, -20%	
C8	CK94YX1H471K	Ceramic 470pF $\pm$ 10%	
C9	CC94TH1H221J	Ceramic 220pF $\pm$ 5%	
C10	CC94SL1H101K	Ceramic 100pF $\pm$ 10%	
C11	CM93D2H100J	Mica 10pF $\pm$ 5%	
C12	CK94YG1E403Z	Ceramic 0.04 $\mu$ F +80%, -20%	
C13	CM93D2H220J	Mica 22pF $\pm$ 5%	
C14	CK94YG1E103Z	Ceramic 0.01 $\mu$ F +80%, -20%	
<b>RESISTOR</b>			
R1 ~4	PD14BY2E103J	Carbon 10k $\Omega$ $\pm$ 5% 1/4W	
R5	PD14BY2E333J	Carbon 33k $\Omega$ $\pm$ 5% 1/4W	
R6	PD14BY2E682J	Carbon 6.8k $\Omega$ $\pm$ 5% 1/4W	
R7	PD14BY2E102J	Carbon 1k $\Omega$ $\pm$ 5% 1/4W	
R8	PD14BY2E683J	Carbon 68k $\Omega$ $\pm$ 5% 1/4W	
R9	PD14BY2E101J	Carbon 100 $\Omega$ $\pm$ 5% 1/4W	
<b>SEMICONDUCTOR</b>			
Q1, 2		2SC460	
D1 ~4		1S1555	
<b>MISCELLANEOUS</b>			
TC1 ~3	C05-0013-15	PC trimmer	
-	F10-0012-04	Shield plate	
-	F11-0015-04	Shield box	

Circuit No.	Parts No.	Description	Remarks
T1	L32-0003-05	Oscillator coil	
L1 ~ 6	L33-0104-05	Ferri-inductor	
X1	L77-0123-05	Crystal oscillator (3395.0 kHz)	
X2	L77-0122-05	Crystal oscillator (3396.5 kHz)	
X3	L77-0120-05	Crystal oscillator (3393.5 kHz)	
-	J25-0029-04	PC board	

■ PARTS LISTS OF X50-1140-10 (FIXED CHANNEL UNIT)

Circuit No.	Parts No.	Description	Remarks
<b>CAPACITOR</b>			
C1	CK45F1E403Z	Ceramic	0.04 $\mu$ F +80%, -20%
C2	CC45SL1H151J	Ceramic	150pF $\pm$ 5%
C3	CK45F1E403Z	Ceramic	0.04 $\mu$ F +80%, -20%
C4	CM93D2H820J(Z)	Mica	82pF $\pm$ 5%
C5	CM93D2H100J(Z)	Mica	10pF $\pm$ 5%
C6	CM93D2H330J(Z)	Mica	33pF $\pm$ 5%
C7	CK45F1H103Z	Ceramic	0.01 $\mu$ F +80%, -20%
<b>RESISTOR</b>			
R1	PD14CY2E682J	Carbon	6.8k $\Omega$ $\pm$ 5% 1/4W
R2	PD14CY2E473J	Carbon	47k $\Omega$ $\pm$ 5% 1/4W
R3	PD14CY2E102J	Carbon	1k $\Omega$ $\pm$ 5% 1/4W
R4	PD14CY2E333J	Carbon	33k $\Omega$ $\pm$ 5% 1/4W
R5	PD14CY2E473J	Carbon	47k $\Omega$ $\pm$ 5% 1/4W
R6	PD14CY2E102J	Carbon	1k $\Omega$ $\pm$ 5% 1/4W
R7	PD14CY2E101J	Carbon	100 $\Omega$ $\pm$ 5% 1/4W
R8	PD14CY2E103J	Carbon	10k $\Omega$ $\pm$ 5% 1/4W
R9	RC05GF2H680J	Carbon	68 $\Omega$ $\pm$ 5% 1/2W
<b>SEMICONDUCTOR</b>			
Q1 ~ 3		2SC460B	
Q4		2SC735 (Y)	
D1, 2		1N60	
<b>COIL</b>			
L1	L33-0104-05	Ferri-inductor	
L2	L33-0089-05	Ferri-inductor	
L3	L33-0104-05	Ferri-inductor	
<b>MISCELLANEOUS</b>			
TC1 ~ 5	C05-0030-05	Ceramic trimmer	20pF
TC6	C05-0015-15	Ceramic trimmer	40pF
J1, 2	E10-0702-05	7P socket	
-	E18-0203-05	Crystal oscillator socket	
-	E23-0046-04	Wrapping terminal	
-	K23-0069-04	Knob	
S1	S04-1031-05	Rotary switch	

■ PARTS LISTS OF X51-1050-10 (FILTER UNIT)

Circuit No	Parts No.	Description			Remarks
<b>CAPACITOR</b>					
C1	CK45D1H102M	Ceramic	0.001 $\mu$ F	$\pm$ 20%	
C2, 3	CK45F1E403Z	Ceramic	0.04 $\mu$ F	+80%, -20%	
C4	CK45D1H102M	Ceramic	0.001 $\mu$ F	$\pm$ 20%	
C5	CC45SL1H050D	Ceramic	5pF	$\pm$ 0.5pF	
C6	CK45D1H102M	Ceramic	0.001 $\mu$ F	$\pm$ 20%	
C7,8	CK45F1E403Z	Ceramic	0.04 $\mu$ F	+80%, -20%	
C9	CK45D1H102M	Ceramic	0.001 $\mu$ F	$\pm$ 20%	
C10, 11	CC45SL1H050D	Ceramic	5pF	$\pm$ 0.5pF	
C12	CK45D1H102M	Ceramic	0.001 $\mu$ F	$\pm$ 20%	
C13, 14	CK45F1E403Z	Ceramic	0.04 $\mu$ F	+80%, -20%	
C15	CK45D1H102M	Ceramic	0.001 $\mu$ F	$\pm$ 20%	
C16, 17	CC45SL1H050D	Ceramic	5pF	$\pm$ 0.5pF	
C18	CK45D1H102M	Ceramic	0.001 $\mu$ F	$\pm$ 20%	
C19, 20	CK45F1E403Z	Ceramic	0.04 $\mu$ F	+80%, -20%	
C21	CK45D1H102M	Ceramic	0.001 $\mu$ F	$\pm$ 20%	
C22	CC45SL1H050D	Ceramic	5pF	$\pm$ 0.5pF	
C23	CM93D1H220J(Z)	Mica	22pF	$\pm$ 5%	
C24	CK45D1H102M	Ceramic	0.001 $\mu$ F	$\pm$ 20%	
C25, 26	CC45SL1H050D	Ceramic	5pF	$\pm$ 0.5pF	
<b>RESISTOR</b>					
R1	PD14CY2E221J	Carbon	220 $\Omega$	$\pm$ 5%	1/4W
R2	PD14CY2E472J	Carbon	4.7k $\Omega$	$\pm$ 5%	1/4W
R3	PD14CY2E221J	Carbon	220 $\Omega$	$\pm$ 5%	1/4W
R4	PD14CY2E472J	Carbon	4.7k $\Omega$	$\pm$ 5%	1/4W
R5	PD14CY2E223J	Carbon	22k $\Omega$	$\pm$ 5%	1/4W
R6	PD14CY2E221J	Carbon	220 $\Omega$	$\pm$ 5%	1/4W
R7	PD14CY2E472J	Carbon	4.7k $\Omega$	$\pm$ 5%	1/4W
R8	PD14CY2E221J	Carbon	220 $\Omega$	$\pm$ 5%	1/4W
R9	PD14CY2E472J	Carbon	4.7k $\Omega$	$\pm$ 5%	1/4W
R10	PD14CY2E223J	Carbon	22k $\Omega$	$\pm$ 5%	1/4W
R11	PD14CY2E221J	Carbon	220 $\Omega$	$\pm$ 5%	1/4W
R12	PD14CY2E472J	Carbon	4.7k $\Omega$	$\pm$ 5%	1/4W
R13	PD14CY2E221J	Carbon	220 $\Omega$	$\pm$ 5%	1/4W
R14	PD14CY2E472J	Carbon	4.7k $\Omega$	$\pm$ 5%	1/4W
R15	PD14CY2E223J	Carbon	22k $\Omega$	$\pm$ 5%	1/4W
R16	PD14CY2E221J	Carbon	220 $\Omega$	$\pm$ 5%	1/4W
R17	PD14CY2E472J	Carbon	4.7k $\Omega$	$\pm$ 5%	1/4W
R18	PD14CY2E221J	Carbon	220 $\Omega$	$\pm$ 5%	1/4W
R19	PD14CY2E472J	Carbon	4.7k $\Omega$	$\pm$ 5%	1/4W
R20	PD14CY2E223J	Carbon	22k $\Omega$	$\pm$ 5%	1/4W
R21, 22	PD14CY2E222J	Carbon	2.2k $\Omega$	$\pm$ 5%	1/4W
<b>SEMICONDUCTOR</b>					
D1 ~ 14		1S73A			
<b>MISCELLANEOUS</b>					
L1, 2	L33-0104-05	Ferri-inductor			
XF1	L71-0017-05	Crystal filter (CW)			
XF2	L71-0018-05	Crystal filter (SS8)			
XF3	L71-0002-05	Crystal filter (AM)			

■ PARTS LISTS OF X52-0005-01 (MARKER UNIT)

Circuit No.	Parts No.	Description			Remarks
<b>CAPACITOR</b>					
C1	CQ93M1H103K	Mylar	0.01 $\mu$ F	$\pm$ 10%	
C2	CM93D2H151J(Z)	Mica	150pF	$\pm$ 5%	
C3	CC94TH2H101J	Ceramic	100pF	$\pm$ 5%	
C4	CM93D2H330J(Z)	Mica	33pF	$\pm$ 5%	
C5	CK94YG1E403Z	Ceramic	0.04 $\mu$ F	+80%, -20%	
C6	CM93D2H390J(Z)	Mica	39pF	$\pm$ 5%	
C7	CM93D2H330J(Z)	Mica	33pF	$\pm$ 5%	
C8	CM93D2H820J(Z)	Mica	82pF	$\pm$ 5%	
C9	CM93D2H201J(Z)	Mica	200pF	$\pm$ 5%	
C10	CC94SL1H470K	Ceramic	47pF	$\pm$ 10%	
C11	CC94SL2H050D	Ceramic	5pF	$\pm$ 0.5pF	
C12	CK94YG1E403Z	Ceramic	0.04 $\mu$ F	+80%, -20%	
C13	CM93D2H470J(Z)	Ceramic	47pF	$\pm$ 5%	
<b>RESISTOR</b>					
R1	PD14CY2E473J	Carbon	47k $\Omega$	$\pm$ 5%	1/4W
R2	PD14CY2E103J	Carbon	10k $\Omega$	$\pm$ 5%	1/4W
R3	PD14CY2E101J	Carbon	100 $\Omega$	$\pm$ 5%	1/4W
R4	PD14CY2E473J	Carbon	47k $\Omega$	$\pm$ 5%	1/4W
R5	PD14CY2E472J	Carbon	4.7k $\Omega$	$\pm$ 5%	1/4W
R6	PD14CY2E224J	Carbon	220k $\Omega$	$\pm$ 5%	1/4W
R7	RC05GF2H105J	Carbon	1M $\Omega$	$\pm$ 5%	1/2W
R8 ~ 10	PD14CY2E472J	Carbon	4.7k $\Omega$	$\pm$ 5%	1/4W
<b>SEMICONDUCTOR</b>					
Q1		2SC373 or 2SC458 (B)			
Q2, 3		2SC373			
Q4		2SC373 or 2SC458 (8)			
D1		1N60			
<b>MISCELLANEOUS</b>					
L1	L33-0118-05	Ferri-inductor			
X1	L77-0009-05	Crystal oscillator (100kHz)			
-	C05-0029-15	Ceramic trimmer			
-	J19-0013-04	Crystal oscillator holder			

■ PARTS LISTS OF X54-1080-10 (NB UNIT)

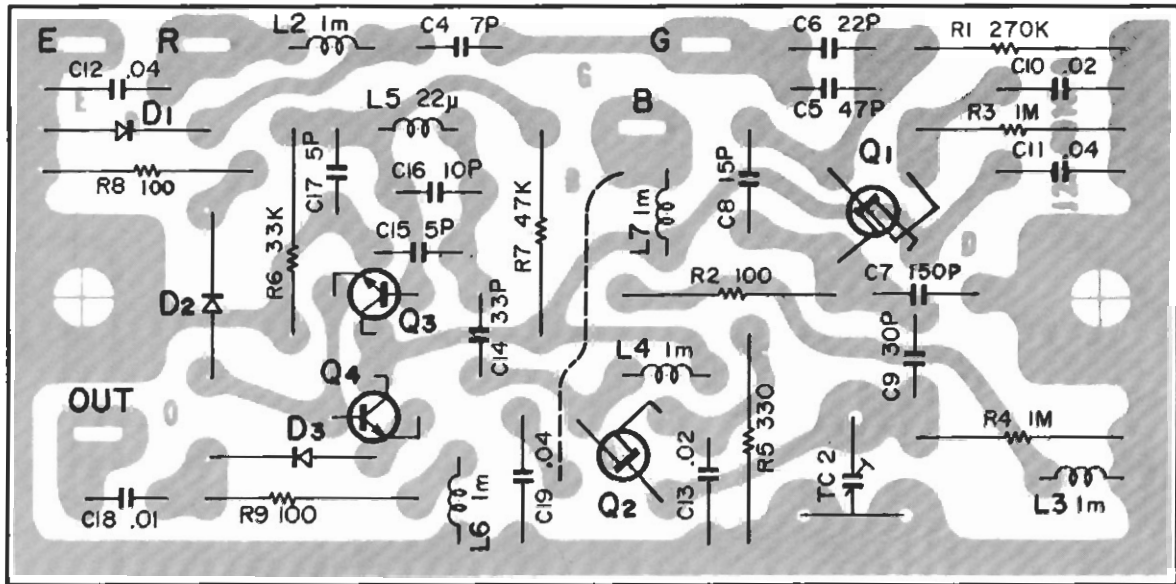
Circuit No.	Parts No.	Description			Remarks
<b>CAPACITOR</b>					
C1, 2	CC45SL1H020D	Ceramic	2pF	$\pm$ 0.5pF	
C3	CK45F1H203Z	Ceramic	0.02 $\mu$ F	+80%, -20%	
C4	CK45F1H103Z	Ceramic	0.01 $\mu$ F	+80%, -20%	
C5, 6	CC45SL1H101J	Ceramic	100pF	$\pm$ 5%	
C7	CE04W1E100(RL)	Electrolytic	10 $\mu$ F		25WV
C8, 9	CK45F1H103Z	Ceramic	0.01 $\mu$ F	+80%, -20%	
C10, 11	CK45F1H203Z	Ceramic	0.02 $\mu$ F	+80%, -20%	
C12	CK45D1H102M	Ceramic	0.001 $\mu$ F	$\pm$ 20%	
C13, 14	CK45F1H103Z	Ceramic	0.01 $\mu$ F	+80%, -20%	
C15	CE04W1H010 (RL)	Electrolytic	1 $\mu$ F		50WV
C16	CK45F1H203Z	Ceramic	0.02 $\mu$ F	+80%, -20%	
C17	CK45F1H103Z	Ceramic	0.01 $\mu$ F	+80%, -20%	
C18	CK45D1H102M	Ceramic	0.001 $\mu$ F	$\pm$ 20%	
C19	CC45SL1H331J	Ceramic	330pF	$\pm$ 5%	
C20	CK45F1H103Z	Ceramic	0.01 $\mu$ F	+80%, -20%	

Circuit No.	Parts No.	Description			Remarks
C21	CK45F1E403Z	Ceramic	0.04 $\mu$ F	+80%, -20%	
C22	CK45F1H203Z	Ceramic	0.02 $\mu$ F	+80%, -20%	
C23, 24	CK45F1H103Z	Ceramic	0.01 $\mu$ F	+80%, -20%	
<b>RESISTOR</b>					
R1	PD14CY2E151J	Carbon	150 $\Omega$	$\pm$ 5%	1/4W
R2	PD14CY2E221J	Carbon	220 $\Omega$	$\pm$ 5%	1/4W
R3	PD14CY2E102J	Carbon	1k $\Omega$	$\pm$ 5%	1/4W
R4	PD14CY2E472J	Carbon	4.7k $\Omega$	$\pm$ 5%	1/4W
R5	PD14CY2E102J	Carbon	1k $\Omega$	$\pm$ 5%	1/4W
R6	PD14CY2E472J	Carbon	4.7k $\Omega$	$\pm$ 5%	1/4W
R7	PD14CY2E682J	Carbon	6.8k $\Omega$	$\pm$ 5%	1/4W
R8	PD14CY2E221J	Carbon	220 $\Omega$	$\pm$ 5%	1/4W
R9	PD14CY2E223J	Carbon	22k $\Omega$	$\pm$ 5%	1/4W
R10	PD14CY2E333J	Carbon	33k $\Omega$	$\pm$ 5%	1/4W
R11	PD14CY2E683J	Carbon	68k $\Omega$	$\pm$ 5%	1/4W
R12	PD14CY2E102J	Carbon	1k $\Omega$	$\pm$ 5%	1/4W
R13	PD14CY2E471J	Carbon	470 $\Omega$	$\pm$ 5%	1/4W
R14, 15	PD14CY2E103J	Carbon	10k $\Omega$	$\pm$ 5%	1/4W
R16	PD14CY2E333J	Carbon	33k $\Omega$	$\pm$ 5%	1/4W
R17	PD14CY2E103J	Carbon	10k $\Omega$	$\pm$ 5%	1/4W
R18	PD14CY2E222J	Carbon	2.2k $\Omega$	$\pm$ 5%	1/4W
<b>SEMICONDUCTOR</b>					
Q1		3SK22 (GR)			
Q2		2SK19 (GR)			
Q3		TA7045M (R)			
Q4		2SC460 (B)			
Q5, 6		2SC733 (Y)			
D1 ~ 4		1S73A			
D5, 6		1N60			
D7		MV-13			
<b>COIL/TRANSFORMER</b>					
L1, 2	L33-0104-05	Ferri-inductor			
T1 ~ 3	L30-0010-05	IFT (3395 kHz)			
T4	L31-0286-05	NB coil (A) (3395 kHz)			
T5	L31-0287-05	NB coil (B) (3395 kHz)			
T6	L30-0010-05	IFT (3395 kHz)			
T7	L30-0021-05	IFT (3395 kHz)			
<b>MISCELLANEOUS</b>					
-	E23-0046-04	Wrapping terminal			
-	J25-0836-04	PC board			



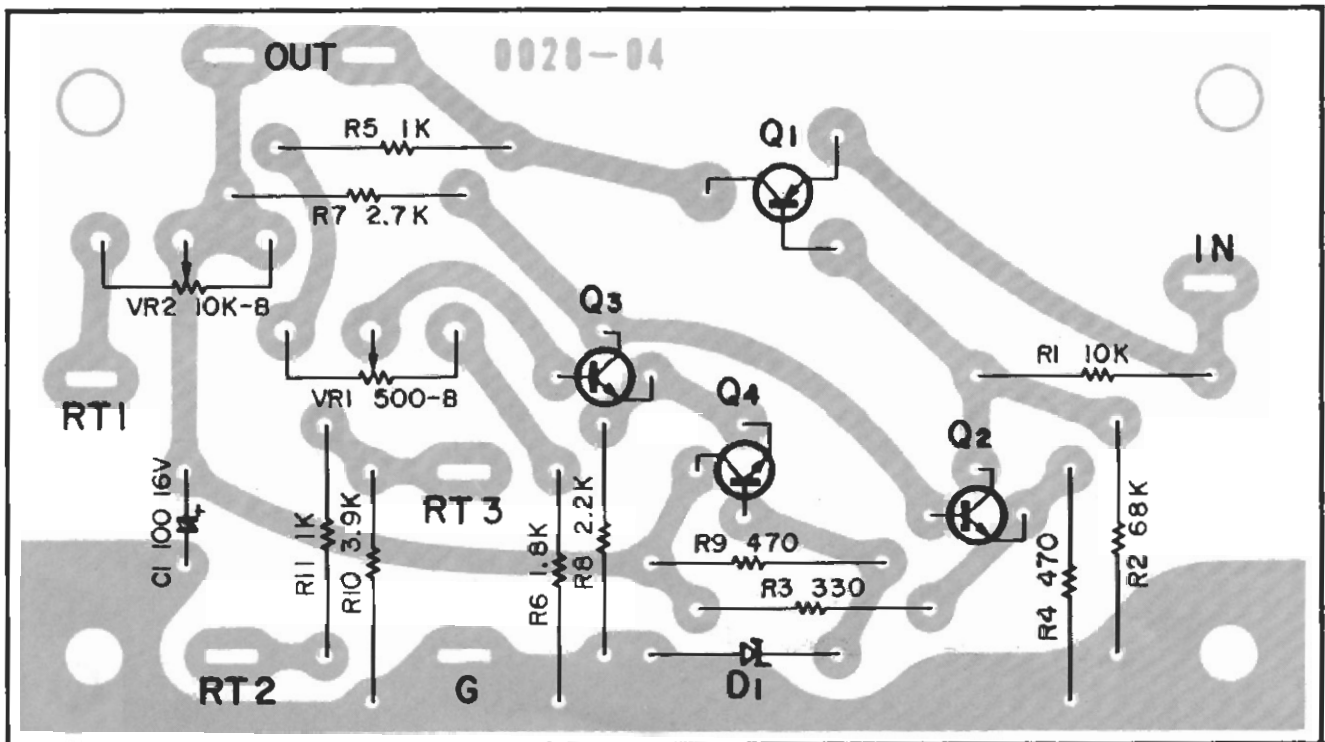
# PC BOARD

## ■ PC BOARD OF X40-0016-08 (VFO UNIT)



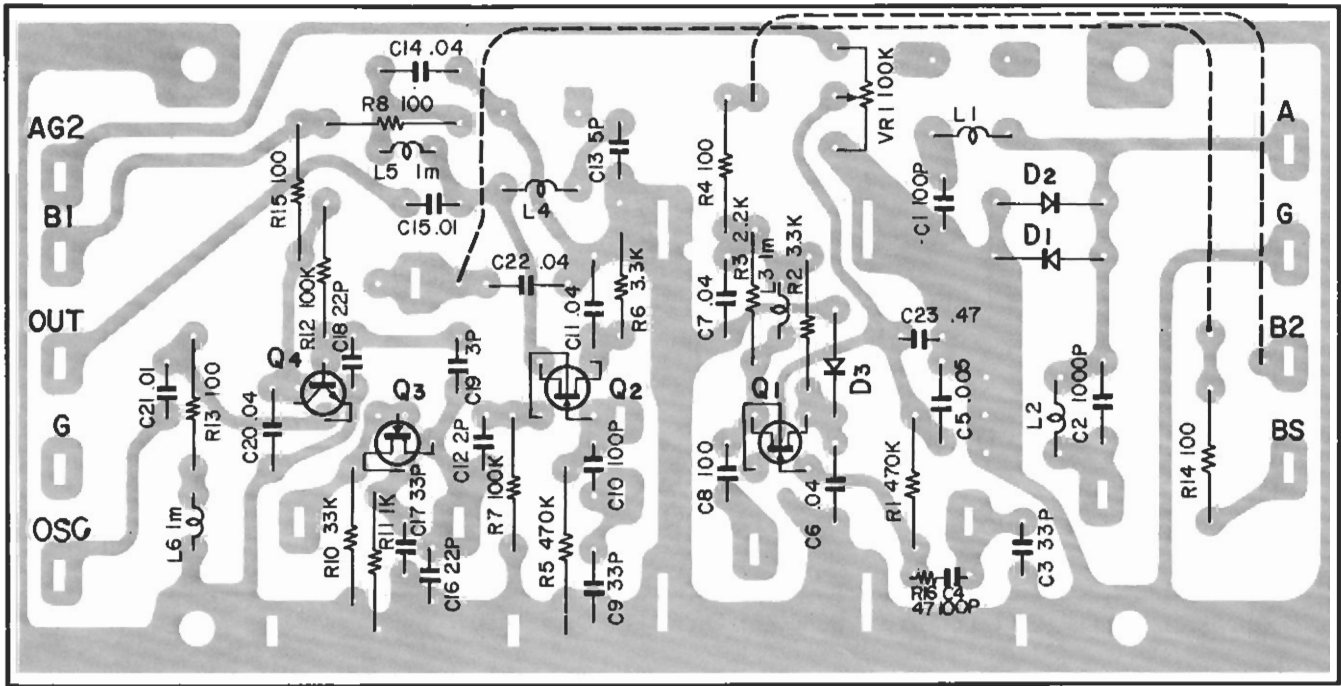
Q<sub>1</sub>: 3SK22(Y), Q<sub>2</sub>: 2SK19(Y), Q<sub>3,4</sub>: 2SC460(B), D<sub>1</sub>: SD111, D<sub>2,3</sub>: IN60

## ■ PC BOARD OF X43-0010-00 (AVR UNIT)



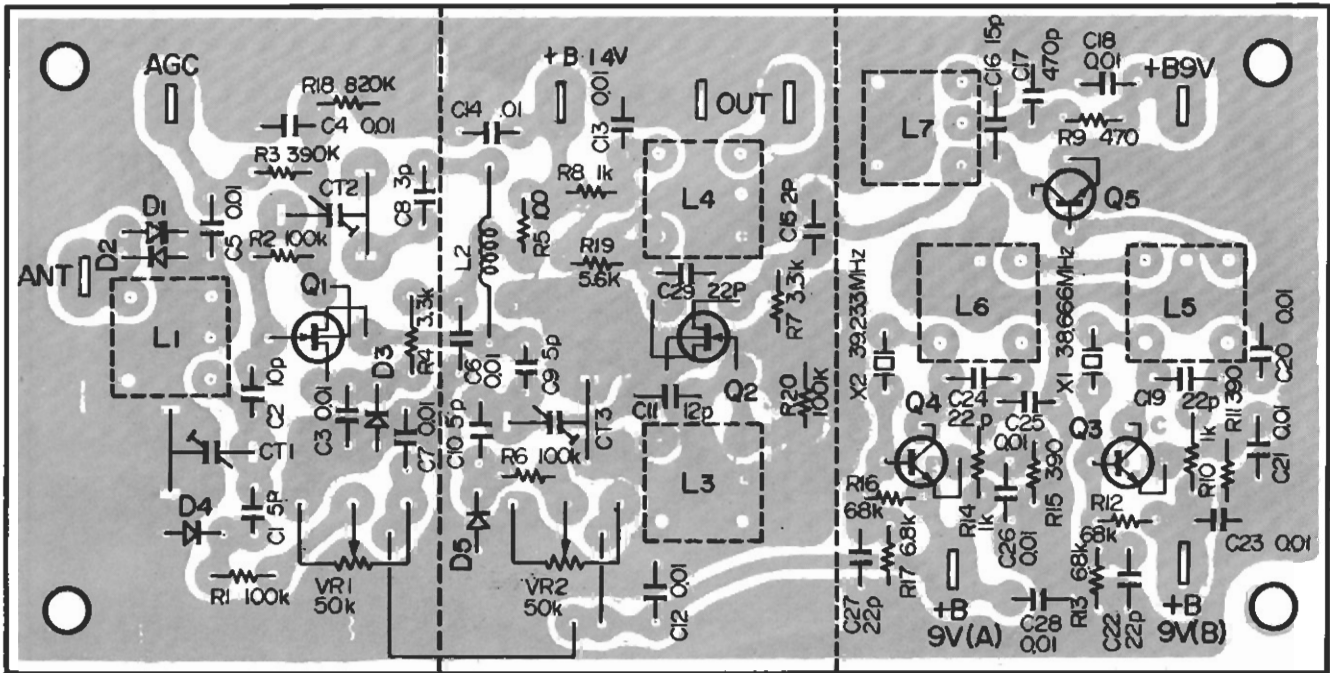
Q<sub>1</sub>: 2SA606(L), Q<sub>2 ~ 4</sub>: 2SC372, D<sub>1</sub>: WZ-061

■ PC BOARD OF X44-0020-00 (RF UNIT)



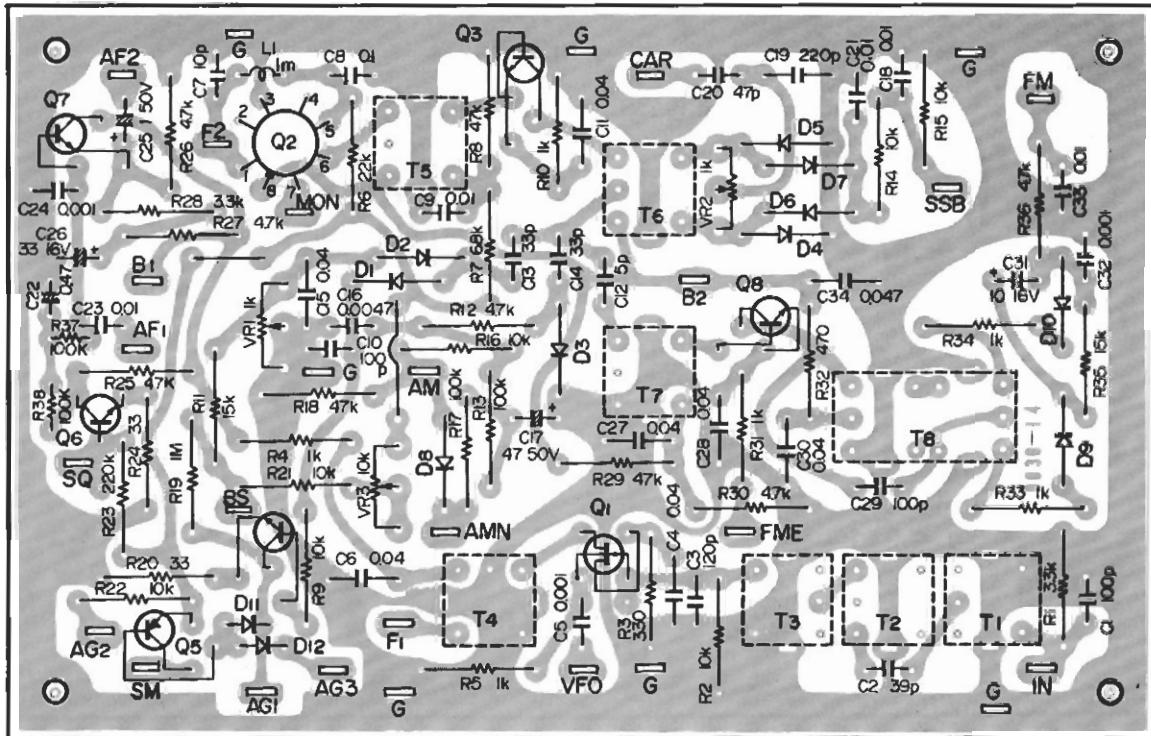
Q1,2: 3SK22(GR) Q3: 2SK19(GR) Q4: 2SC460(B)

■ PC BOARD OF X46-0002-00 (2M CRYSTAL CONVERTOR UNIT)



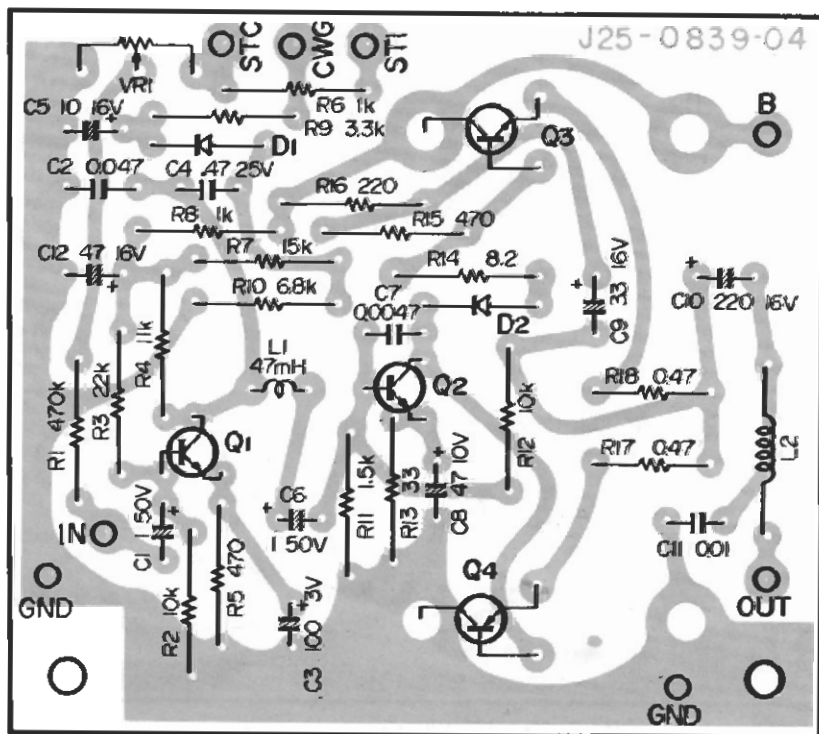
D1,2: IN60 D3: MZ1004 D4,5: IS-85(W) Q1: 3SK22(GR) Q3,4: 2SC535 Q5: 2SC460(B)

■ PC BOARD OF X48-0011-00 (IF UNIT)



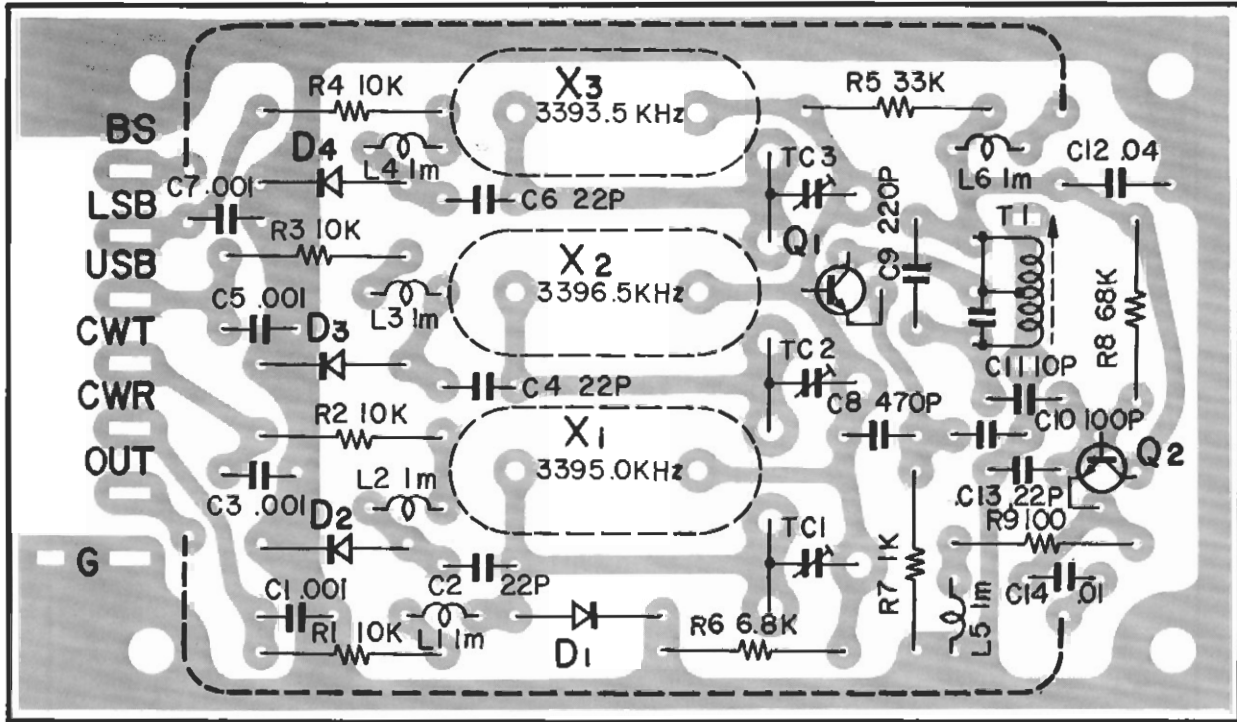
D1 ~ 10: IN60    Q1: 3SK22 (GR)    Q2: TA7045M(R)    Q3,8: 2SC460(B)  
 Q4,6: 2SC733(Y)    Q5: 2SA495(Y)    Q7: 2SC1000(GR)

■ PC BOARD OF X49-1040-10 (AF UNIT)



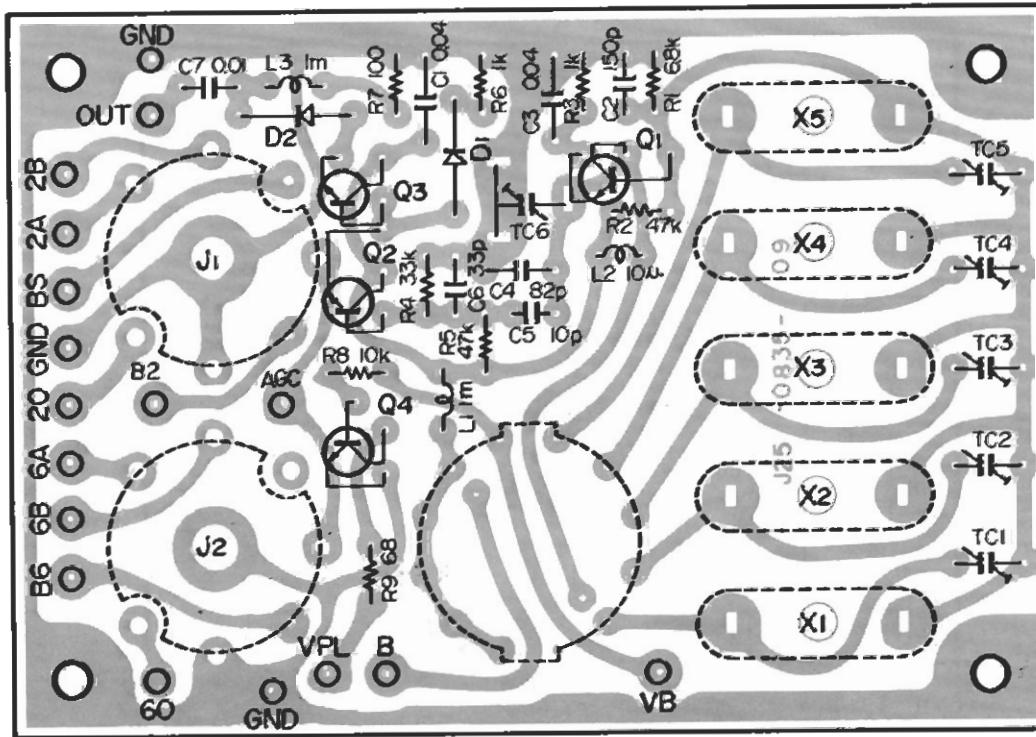
D1,2: 1S1555    Q1: 2SC1000(GR)  
 Q2: 2SC734(Y)    Q3: 2SD90(O)    Q4: 2SB473(C, D, N)

■ PC BOARD OF X50-0002-00 (CARRIER UNIT)



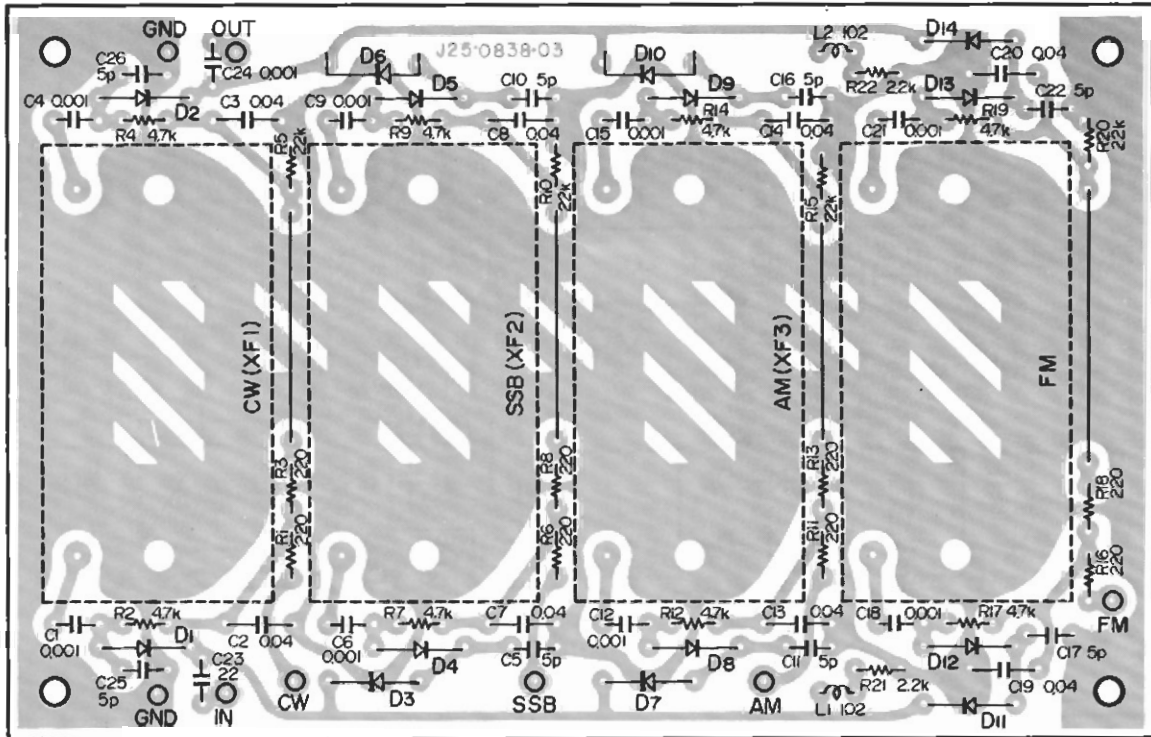
D1 ~ 4 : 1S1555 Q1, 2 : 2SC460(B)

■ PC BOARD OF X50-1140-10 (FIXED CHANNEL UNIT)



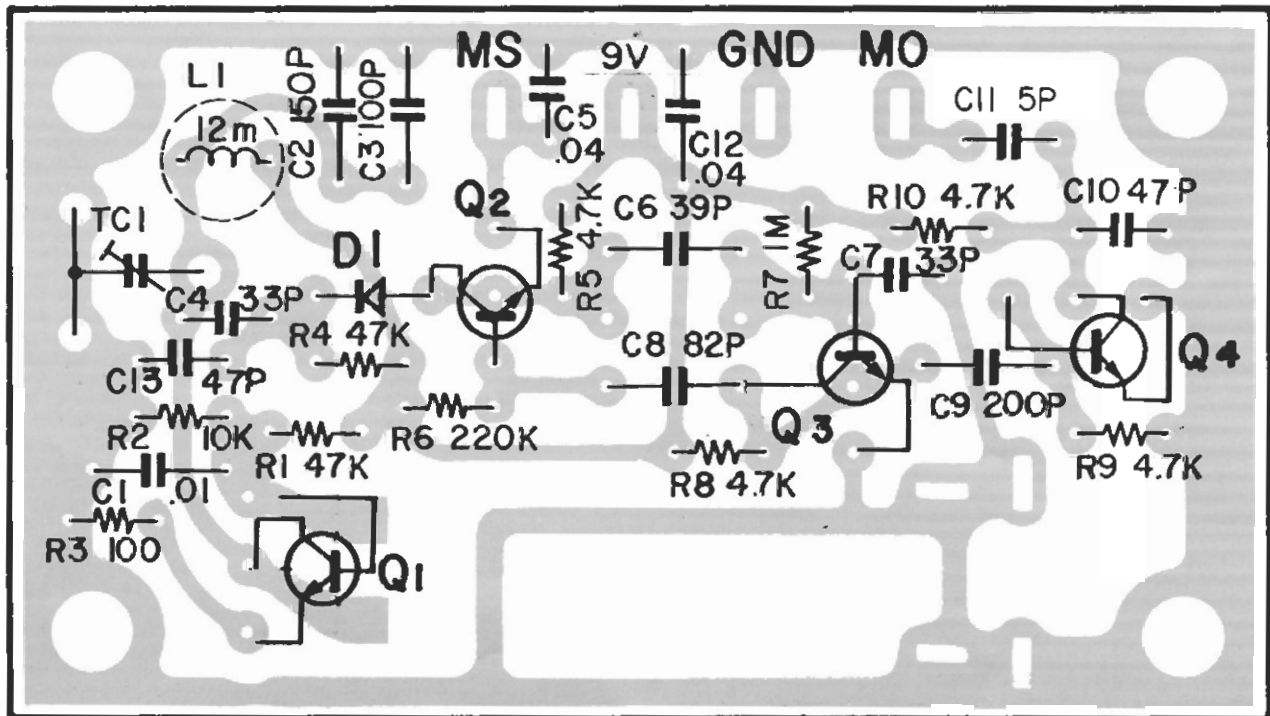
D1, 2 : 1N60 Q1, 3 : 2SC460B Q4 : 2SC735(Y)

■ PC BOARD OF X51-1050-10 (FILTER UNIT)



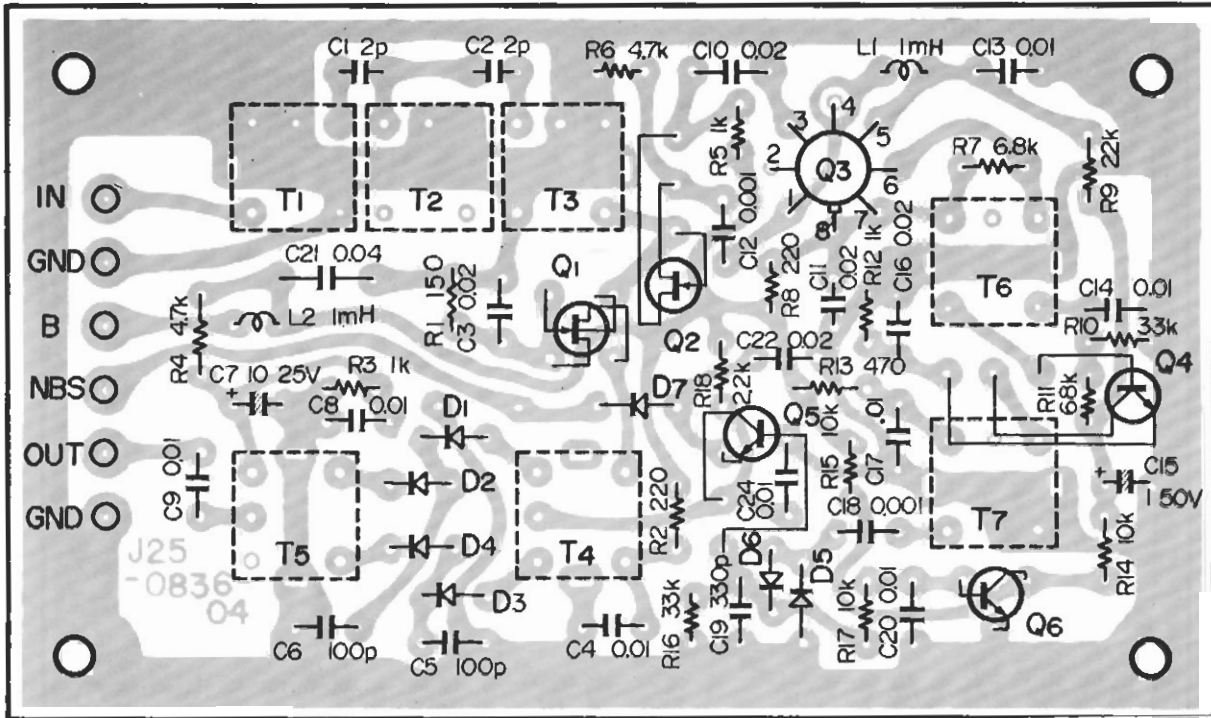
D1 ~ 14 : 1S73A

■ PC BOARD OF X52-0005-01 (MARKER UNIT)



Q1 ~ 4 : 2SC458 or 2SC373    Q2, 3 : 2SC373    D1 : 1N60

■ PC BOARD OF X54-1080-10 (NB UNIT)

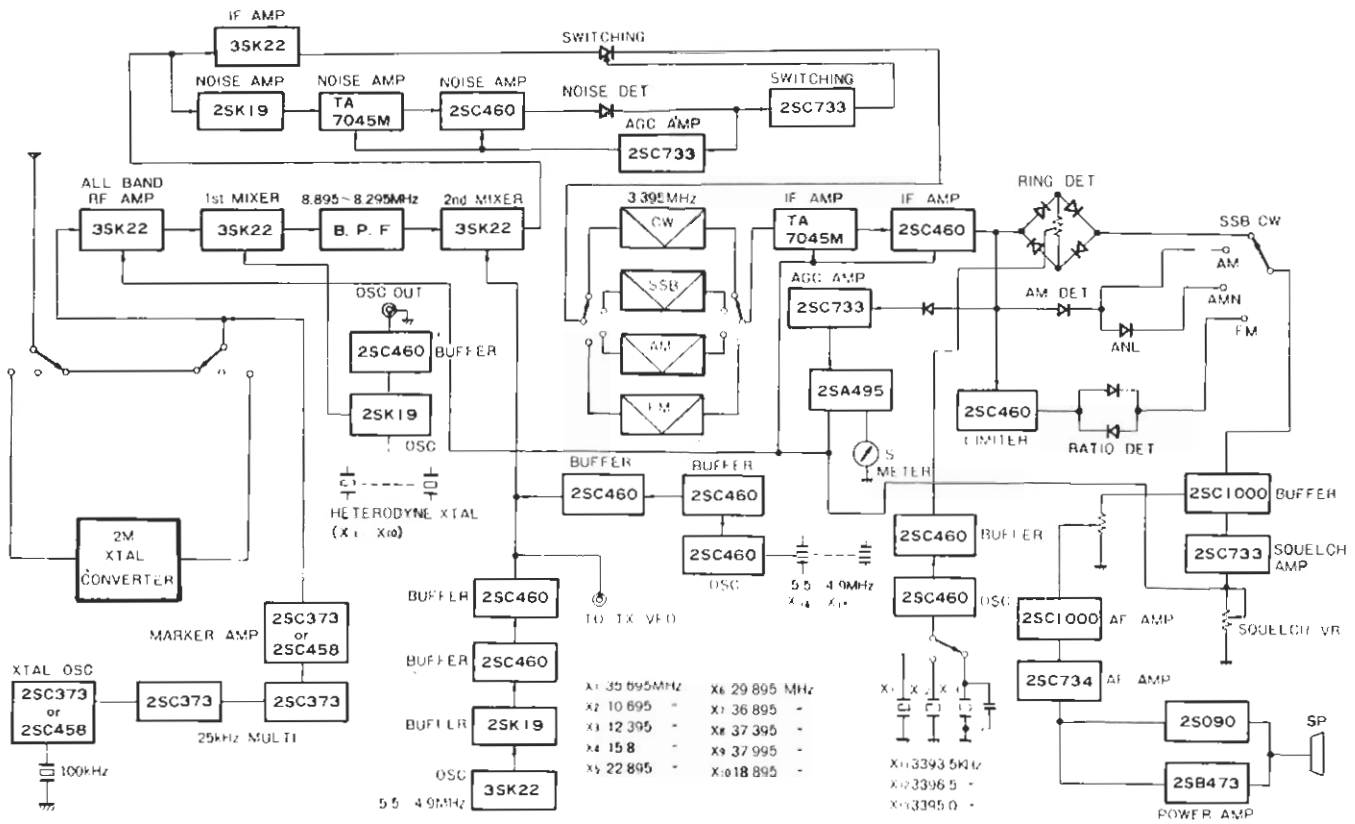


D<sub>1 ~ 4</sub>: 1S73A   D<sub>5,6</sub>: 1N60   D<sub>7</sub>: MV-13   Q<sub>1</sub>: 3SK22(GR)  
 Q<sub>2</sub>: 2SK19 (GR)   Q<sub>3</sub>: TA7045M(R)   Q<sub>4</sub>: 2SC460B   Q<sub>5,6</sub>: 2SC733(Y)

# SPECIFICATION

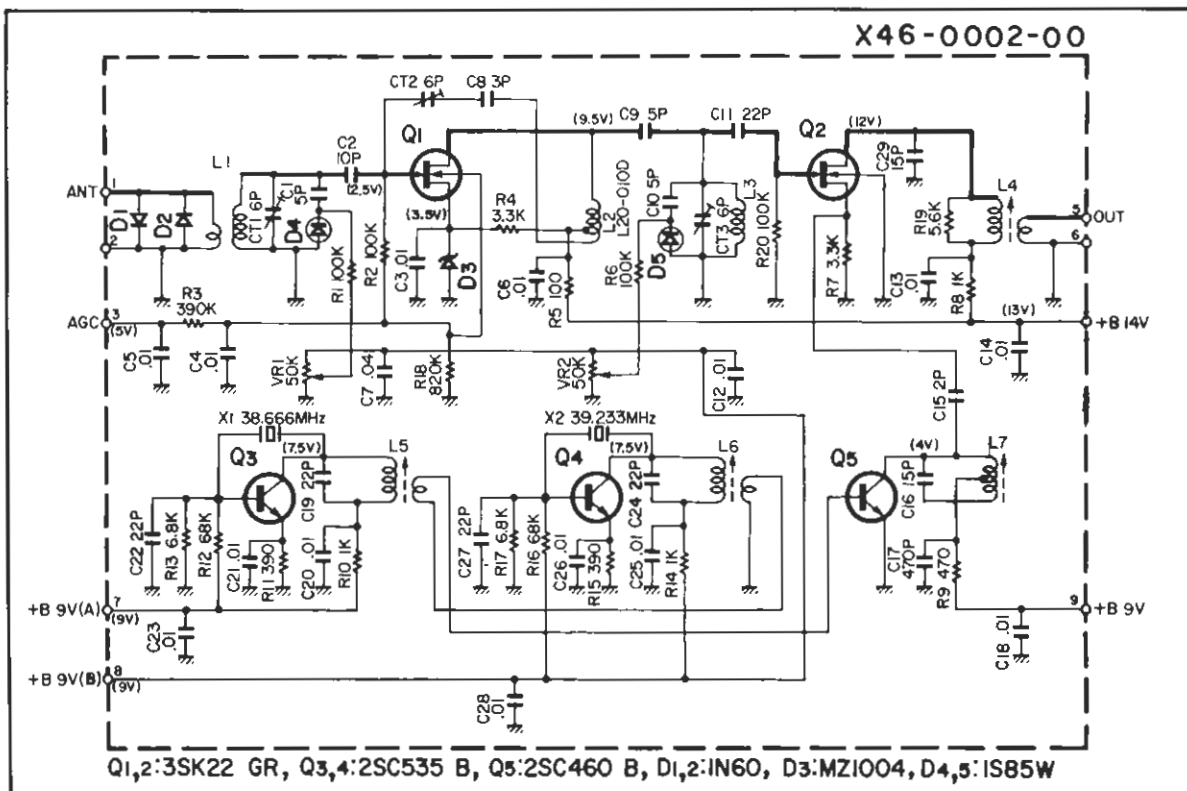
RECEIVING FREQUENCY RANGE	1.8 MHz BAND	1.80 ~ 2.30 MHz
	3.5 MHz BAND	3.50 ~ 4.00 MHz
	7.0 MHz BAND	7.00 ~ 7.50 MHz
	14.0 MHz BAND	14.00 ~ 14.50 MHz
	21.0 MHz BAND	21.00 ~ 21.50 MHz
	28.0 MHz BAND	28.00 ~ 28.50 MHz
	28.5 MHz BAND	28.50 ~ 29.10 MHz
	29.1 MHz BAND	29.10 ~ 29.70 MHz
	144.0 MHz BAND CB BAND	144.00 ~ 147.40 MHz 26.80 ~ 27.40 MHz
WWV	10.00 MHz	
TYPE OF RECEPTION	SSB, CW, AM and FM	
ANTENNA INPUT IMPEDANCE	50 ~ 75 $\Omega$ (Unbalanced)	
SENSITIVITY		
	SSB	
	1.8 ~ 28 MHz BAND	0.5 $\mu$ V S/N 10dB or more.
	144 MHz BAND	1 $\mu$ V S/N 10dB or more.
	CB BAND	0.5 $\mu$ V S/N 10dB or more.
	WWV	0.5 $\mu$ V S/N 10dB or more.
AM		
	1.8 ~ 28 MHz BAND	3 $\mu$ V S/N 10dB or more.
	144 MHz BAND	6 $\mu$ V S/N 10dB or more.
	CB BAND	3 $\mu$ V S/N 10dB or more.
	WWV	3 $\mu$ V S/N 10dB or more.
IMAGE RATIO	More than 50dB	
IF INTERFERENCE	More than 50dB	
SELECTIVITY		
	SSB	
	More than 2.4 kHz	(at -6dB)
	Less than 4.4 kHz	(at -60dB)
CW		
	More than 500 Hz	(at -6dB)
	Less than 1.5 kHz	(at -60dB)
AM		
	More than 5 kHz	(at -6dB)
	Less than 12 kHz	(at -60dB)
FM		
	More than 20 kHz	(at -6dB)
	Less than 120 kHz	(at -40dB)
FREQUENCY STABILITY	Within $\pm 2$ kHz for 60 minutes from one minute after switching on the set. Within 100 Hz for 30 minutes from 60 minutes after switching on the set.	
AF OUTPUT	More than 1 W (at 10% distortion)	
LOAD IMPEDANCE	4 to 16 $\Omega$	

# BLOCK DIAGRAM



# SCHEMATIC DIAGRAM

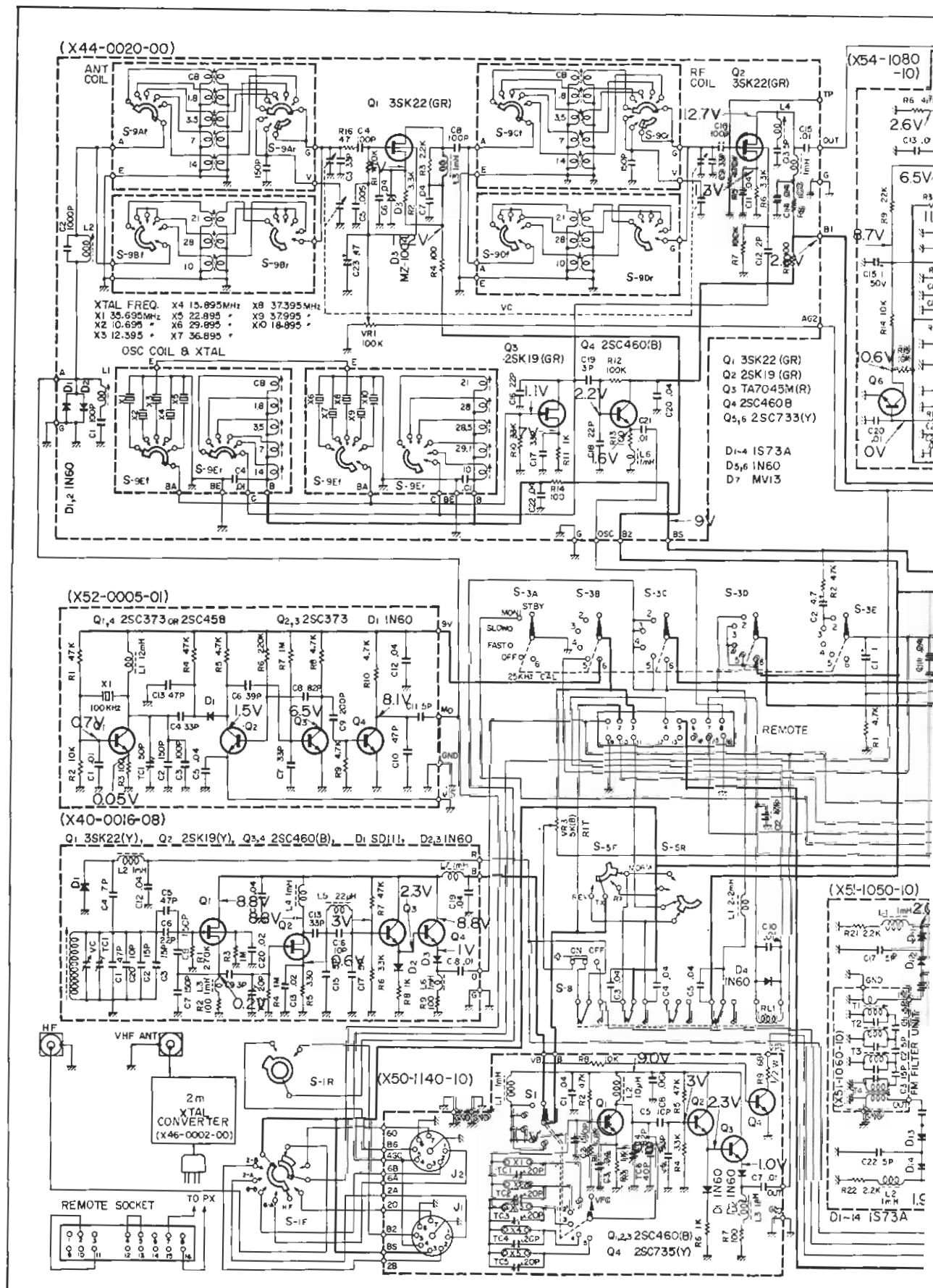
(2m CRYSTAL CONVERTER)







# SCHEMATIC





Manufactured by TRIO ELECTRONICS, INC., Tokyo, Japan

# ■ PARTS LIST OF L60-0002-02 (COIL PACK)

R-599A

Circuit No.	Parts No.	Description	Remarks
-	D21-0028-05	Rotary switch shaft	
-	D29-0001-04	Shaft joint	
-	F10-0015-04	Shield plate	
-	F10-0016-04	Bottom shield plate	
-	F11-0018-03	Shield case	
-	J20-0009-04	Cam stopper	
X1	L77-0326-05	Crystal oscillator (HC-18/U, 35.695 MHz)	
X2	L77-0010-25	Crystal oscillator (HC-18/U, 10.695 MHz)	
X3	L77-0011-25	Crystal oscillator (HC-18/U, 12.395 MHz)	
X4	L77-0012-25	Crystal oscillator (HC-18/U, 15.895 MHz)	
X5	L77-0014-35	Crystal oscillator (HC-18/U, 22.895 MHz)	
X6	L77-0015-35	Crystal oscillator (HC-18/U, 29.895 MHz)	
X7	L77-0016-35	Crystal oscillator (HC-18/U, 36.895 MHz)	
X8	L77-0017-35	Crystal oscillator (HC-18/U, 37.395 MHz)	
X9	L77-0018-35	Crystal oscillator (HC-18/U, 37.995 MHz)	
X10	L77-0013-35	Crystal oscillator (HC-18/U, 18.895 MHz)	
L1	L31-0013-04	ANT tuning coil (1.8 MHz)	
L2	L31-0014-04	ANT tuning coil (3.5 MHz)	
L3	L31-0015-04	ANT tuning coil (7 MHz)	
L4	L31-0016-04	ANT tuning coil (14 MHz)	
L5	L31-0017-04	ANT tuning coil (21 MHz)	
L6	L31-0018-04	ANT tuning coil (28 MHz)	
L7	L31-0019-04	ANT tuning coil (10 MHz)	
L8	L31-0020-04	RF tuning coil (1.8 MHz)	
L9	L31-0021-04	RF tuning coil (3.5 MHz)	
L10	L31-0022-04	RF tuning coil (7 MHz)	
L11	L31-0023-04	RF tuning coil (14 MHz)	
L12	L31-0024-04	RF tuning coil (21 MHz)	
L13	L31-0025-04	RF tuning coil (28 MHz)	
L14	L31-0026-04	RF tuning coil (10 MHz)	
L15	L32-0004-04	OSC coil (1.8 MHz)	
L16	L32-0005-04	OSC coil (3.5 MHz)	
L17	L32-0006-04	OSC coil (7 MHz)	
L18	L32-0007-04	OSC coil (14 MHz)	
L19	L32-0008-04	OSC coil (21 MHz)	
L20 ~ 22	L32-0009-04	OSC coil (28 MHz)	
L23	L32-0010-04	OSC coil (10 MHz)	
L24	L31-0018-04	ANT tuning coil (28MHz)	
L25	L31-0025-04	RF tuning coil (28MHz)	
L26	L32-0009-04	OSC coil (28MHz)	
S1	S29-1002-05	Rotary switch wafer (2)	
S2	S29-1001-05	Rotary switch wafer (1)	
S3	S29-1002-05	Rotary switch wafer (2)	
S4	S29-1001-05	Rotary switch wafer (1)	
S5	S29-1002-05	Rotary switch wafer (2)	
S6	S29-1001-05	Rotary switch wafer (1)	

# ■ PARTS LIST OF L60-0002-02 (COIL PACK)

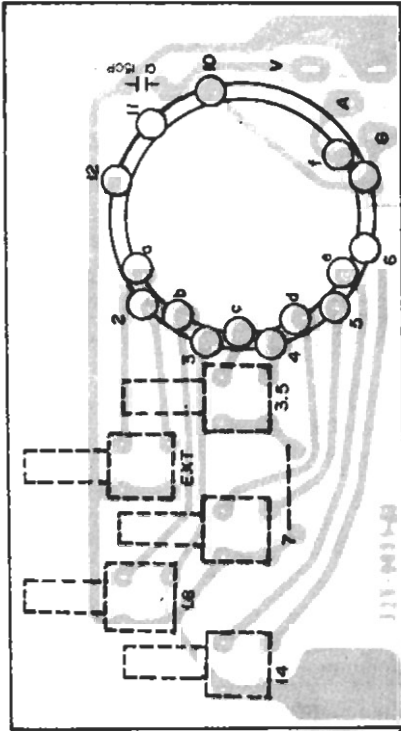
R-599A

Circuit No.	Parts No.	Description	Remarks
-	J25-0031-03	PC board (A)	
-	J25-0032-03	PC board (B)	
-	J25-0033-03	PC board (C-1)	
-	J25-0034-03	PC board (C-2)	
C1, 2	CM93D1H151J	Mica      150pF      ±5%	
C3, 4	CK94YZ1H103P	Ceramic    0.001μF    +100%, -0%	
-	D12-0017-05	Rotary switch cam	
-	D23-0048-04	Bearing	
-	E23-0021-04	Terminal	
-	E23-0037-04	Shaft grounding hardware	
-	N30-3004-11	Pan head screw	
-	N30-3006-11	Pan head screw	

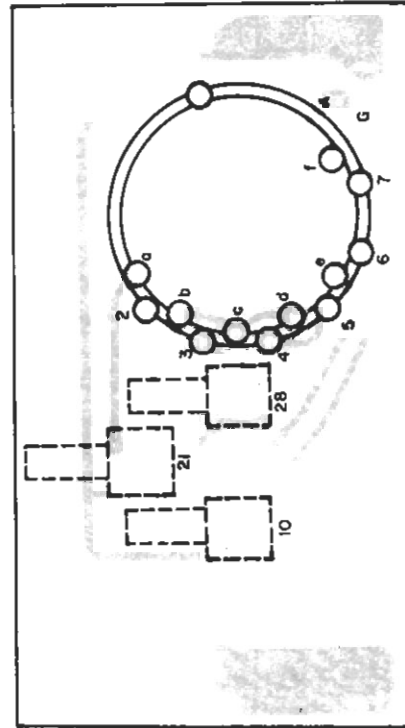
# PC BOARD OF L60-0002-02 (COIL PACK)

R-599A

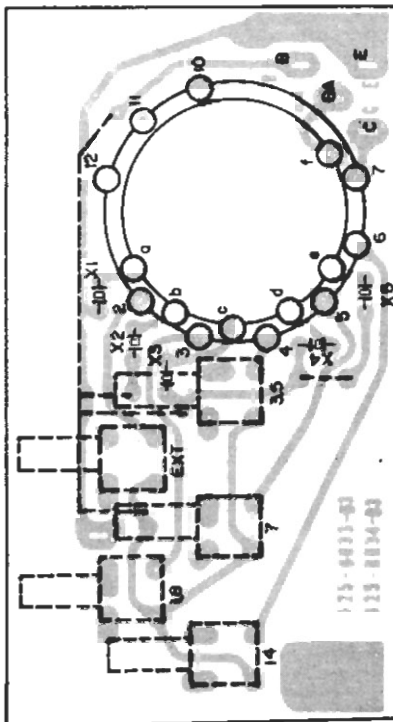
▼ J25-0031-03



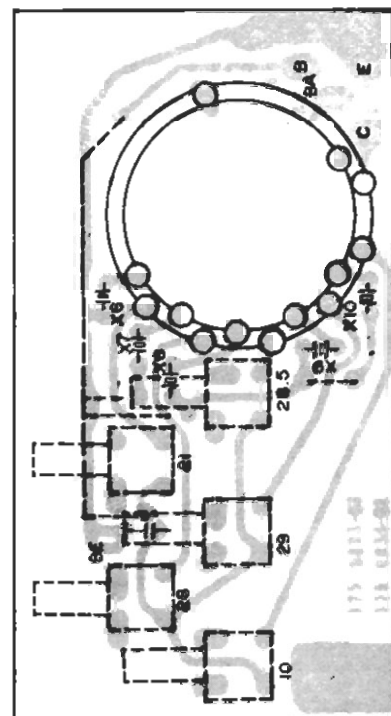
▼ J25-0032-03



▼ J25-0033-03



▼ J25-0034-03



# ■ SCHEMATIC DIAGRAM OF RF UNIT (X44-0020-00)

R-599A

